



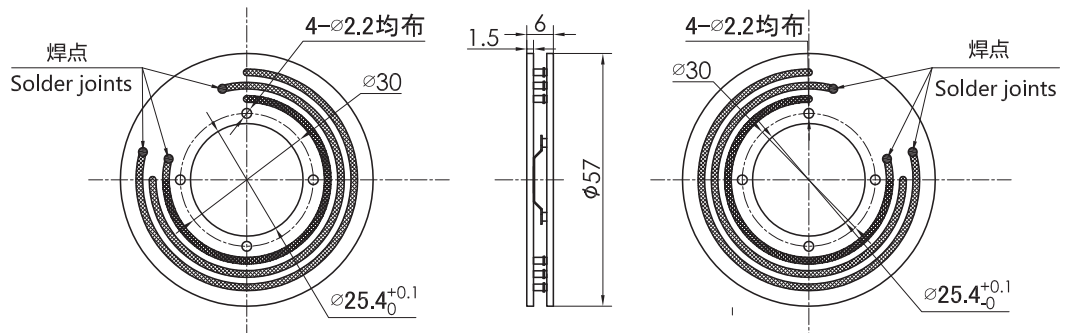
P025 series PCB slip ring

P025 series PCB slip ring, hole size 25.4mm, thickness 6mm (min thickness 5mm). P025 series innovative PCB material, adopt ultra-hard gold plating and ultra-thick copper foil process, support power and signal combined transmission, make sure high stability, low torque, low loss, no maintenance, low electrical noise, long life, etc.

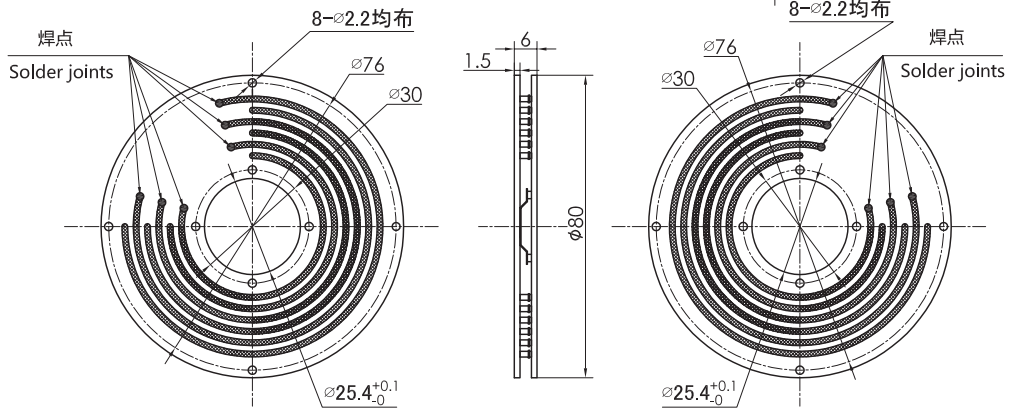
Part No. Description

P025	- power circuits	- signal circuits	- Product grade	Examples :
P025 series PCB slip ring ID:25.4mm OD;6mm				C : standard D : industrial
Examples : 0610:6 circuits@10A 1230:12 circuits@30A				Examples : 06S:6 circuits signal@2A (5A options) 12S:12 circuits signal@2A (5A options)

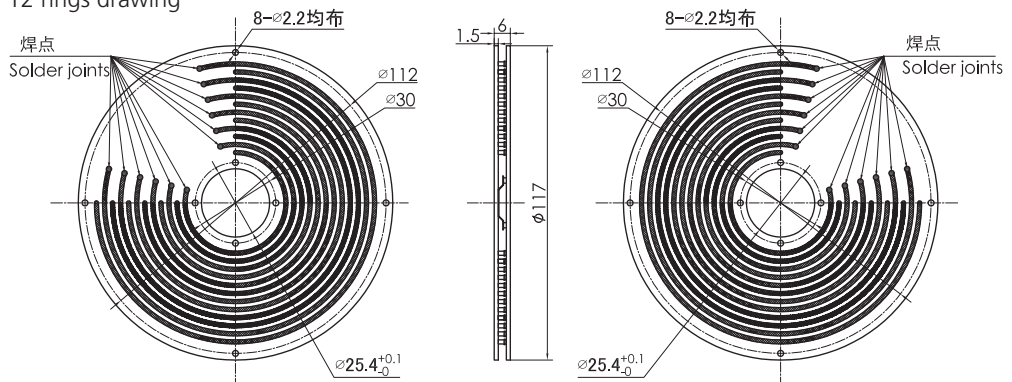
1. 3 rings drawing



2. 6 rings drawing



3. 12 rings drawing



Model List

Model	10A	signal/5A	Rings	Model	10A	signal/5A	Rings
P025-0310	3	0	3	P025-03S	0	3	3
P025-0210-04S	2	4	6	P025-0410-02S	4	2	6
P025-06S	0	6	6	P025-0610	6	0	6
P025-1210	12	0	12	P025-0210-10S	2	10	12
P025-0410-08S	4	8	12	P025-0610-06S	6	6	12
P025-0810-04S	8	4	12	P025-12S	0	1	12

*Remark:Circuits can be combined in parallel for bigger current,N circuits of 10A to get N*10A,such as 2 circuits of 10A in parallel for 20A use. if you need customize the hole size,OD,thickness,circuit no.and signal type of slip ring,pls contact the SenRing technician:186 7557 7111.

Technical Specification of the slip ring

Mechanical Data		Electrical Data		
spec	data	spec	data	
working life	refer to slip ring grade table		power	signal
Rotating speed	refer to slip ring grade table	voltage range	0~440VAC/VDC	0~440VAC/VDC
working temp.	-30℃~80℃	insulation resistance	≥1000MΩ/500VDC	≥1000MΩ/500VDC
work humidity	0~85%RH	lead wire spec.	AWG17# Silver-plated teflon	AWG22# Silver-plated teflon
contact material	refer to slip ring grade table			
housing material	PCB base	lead wire length	standard 300mm (can be customized)	
torque	0.1N.m;+0.03N.m/6 circuits	Dielectric Strength	500VAC@50Hz, 60s	
IP grade	IP51	Electrical noise	<0.01Ω	

Grade code

Grade code	Max rotating speed	working life	contact material
C:standard	100RPM	5 millions	precious metal
D:industrial	300RPM	20 millions	gold-gold

Color Code of Lead Wire

ring #	1	2	3	4	5	6	7	8	9	10	11	12
color	BLK	BRN	RED	ORG	YEL	GRN	BLU	PUR	GRY	WHT	PINK	LGT BLU
ring#	13	14	15	16	17	18	19	20	21	22	23	24
color	WHT/BLK	WHT/BRN	WHT/RED	WHT/ORG	WHT/YEL	WHT/GRN	WHT/BLU	WHT/PUR	WHT/GRY	BLK/RED	BLK/BRN	Transparent

Remark: "1" : the first wire from rotor side , P025-06S wire color sequence: BLK/BRN/RED/ORG/YEL/GRN , 24 color wires as one group , if more than 24wires, repeat as sequence , use number tube to tell group 1#, 2#....