

F056 series Waterproof Slip Ring(OD 56mm,IP65)

IP grade: IP65,IP68 optional,solid,OD:56mm



SenRing F056 series Dustproof&waterproof Slip Rings also called Dustproof&waterproof Lead Electric Appliance,with IP65 which lower than F028 and F038,applied to devices no need to immerse slip-ring in water,such as Packaging machine, Beer machine and other equipment which need use Waterproof Slip Ring.If you need to put slip ring working underwater,pls contact the SenRing technician to upgrade the IP.

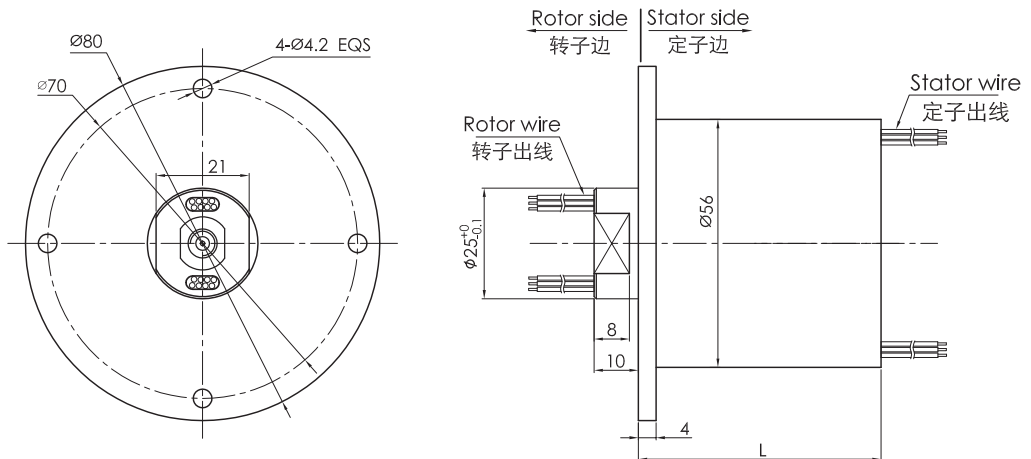
Part No. Description

F056	- power circuits	- signal circuits	- Product grade
F056 series waterproof slip ring solid without hole,OD 56mm			C:standard D:industrial
Examples: 0610:6 circuits@10A 1210:12 circuits@10A			Examples: 06S:6 circuits signal@2A(5A options) 12S:12 circuits signal@2A(5A options)

Examples

F056-06S: F056 series Dustproof & waterproof slip ring(solid ,OD:56mm),06S means 6 circuits signal(2A each);

F056-0210-06S: F056 series Dustproof & waterproof slip ring(solid, OD:56mm),0210 means 2 circuits current(10A each),06S means 6 circuits signal(2A each).



Model List

Model	Circuit/Signal no.		Length L(mm)
	signal/5A	10A	
F056-0210	0	2	57
F056-02S	2	0	57
F056-0310	0	3	60
F056-03S	3	0	60
F056-0410	0	4	62.5
F056-04S	4	0	62.5
F056-0210-02S	2	2	62.5
F056-0610	0	6	68
F056-06S	6	0	68

Model	Circuit/Signal no.		Length L(mm)
	signal/5A	10A	
F056-0210-04S	4	2	68
F056-0810	0	8	73.5
F056-08S	8	0	73.5
F056-0410-4S	4	4	73.5
F056-1010	0	10	79.5
F056-0610-4S	4	6	79.5
F056-1210	0	12	85
F056-12S	12	0	85
F056-0610-6S	6	6	85
F056-1810	0	18	101.5
F056-18S	18	0	101.5
F056-0610-12S	12	6	101.5
F056-1010-08S	8	10	101.5
F056-2410	0	24	118.5
F056-0610-18S	18	6	118.5
F056-1210-12S	12	12	118.5

Technical Specification of the slip ring

Mechanical Data		Electrical Data		
spec	data	spec	data	
Rotating speed	refer to slip ring grade table	voltage range	0~240VAC/VDC	0~240VAC/VDC
working temp.	-40℃~85℃	insulation resistance	≥1000MΩ/500VDC	≥1000MΩ/500VDC
IP grade	IP65, optional IP68	lead wire spec.	AWG17#UL Teflon	AWG22#UL Teflon
contact material	refer to slip ring grade table	lead wire length	standard 300mm (can be customized)	
housing material	aluminum alloy/stainless steel	Dielectric Strength	800VAC@50Hz,60s	
torque	0.1N.m;+0.03N.m/6 circuits	Electrical noise	<0.01Ω	
certificate	RoHS certificate	CE certificate	Yes	

Grade code

Grade code	Max rotating speed	working life	contact material
C:standard	100RPM	10 millions	precious metal
D:industrial	200RPM	30 millions	gold-gold

Color Code of Lead Wire

ring #	1	2	3	4	5	6	7	8	9	10	11	12
color	BLK	BRN	RED	ORG	YEL	GRN	BLU	PUR	GRY	WHT	PINK	LGT BLU
ring#	13	14	15	16	17	18	19	20	21	22	23	24
color	WHT/BLK	WHT/BRN	WHT/RED	WHT/ORG	WHT/YEL	WHT/GRN	WHT/BLU	WHT/PUR	WHT/GRY	BLK/RED	BLK/BRN	Transparent

Remark: "1" : the first wire from rotor side , F056-06S wire color sequence:BLK/BRN/RED/ORG/YEL/G-RN , 24 color wires as one group , if more than 24wires, repeat as sequence , use number tube to tell group 1#, 2#....