

# F028 series waterproof slip ring(OD:28mm,IP68)

IP grade: IP68,solid,OD:28mm

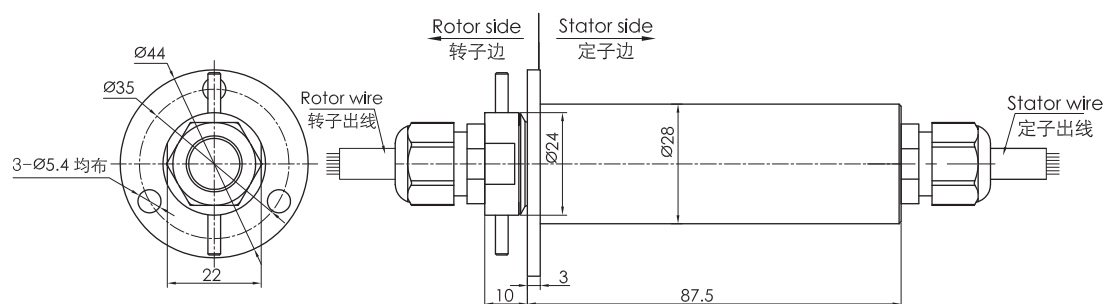
SenRing F028 series waterproof slip ring ,OD28mm,maximum IP:IP68,can conduct electricity and transfer various signals when 360° roating underwater 300M,anti-corrosion,acid and alkali resistance stainless steel housing make sure work stably in all kinds of bad environment, specially used for conducting or transmitting video and various control signals in special equipment such as ships, oil Wells and submersibles.

## Part No. Description

F028 -	power circuits -	signal circuits -	Product grade
F028 series waterproof slip ring solid without hole,OD 28mm			C:standard D:industrial
Examples: 0610:6 circuits@10A 1210:12 circuits@10A			Examples: 06S:6 circuits signal@2A(5A options) 12S:12 circuits signal@2A(5A options)

## Examples

F028-06S: F028 series Dustproof & waterproof slip ring(solid, OD:28mm),06S means 6 circuits signal(2A each);  
F028-0210-06S: F028 series Dustproof & waterproof slip ring(solid, OD:28mm),0210 means 2 circuits current(10A each),06S means 6 circuits signal(2A each).



## Model List

Model	Circuit/Signal no.				Length L(mm)
	2A	5A	10A	20A	
F028-0320	0	0	0	3	87.5
F028-0220	0	0	0	2	87.5
F028-06S	6	0	0	0	87.5
F028-12S	12	0	0	0	87.5
F028-18S	18	0	0	0	87.5
F028-24S	24	0	0	0	87.5
F028-0205-16S	16	2	0	0	87.5
F028-0210-12S	12	0	2	0	87.5
F028-0310-06S	6	0	3	0	87.5
F028-0410	0	0	4	0	87.5
F028-0805	0	8	0	0	87.5
F028-1205	0	12	0	0	87.5

## Technical Specification of the slip ring

Mechanical Data		Electrical Data		
spec	data	spec	data	
Rotating speed	refer to slip ring grade table	voltage range	0~240VAC/VDC	0~240VAC/VDC
working temp.	-40℃~85℃	insulation resistance	≥500MΩ/500VDC	≥500MΩ/500VDC
IP grade	Ip68	lead wire spec.	AWG17#UL Teflon	AWG22#UL Teflon
contact material	refer to slip ring grade table	lead wire length	standard 300mm (can be customized)	
housing material	stainless steel	Dielectric Strength	500VAC@50Hz,60s	
torque	0.1N.m;+0.03N.m/6 circuits	Electrical noise	<0.01Ω	
certificate	RoHS certificate	CE certificate	Yes	

### Grade code

Grade code	Max rotating speed	working life	contact material
C:standard	100RPM	10 millions	precious metal
D:industrial	200RPM	30 millions	gold-gold

### Color Code of Lead Wire

ring #	1	2	3	4	5	6	7	8	9	10	11	12
color	BLK	BRN	RED	ORG	YEL	GRN	BLU	PUR	GRY	WHT	PINK	LGT BLU
ring#	13	14	15	16	17	18	19	20	21	22	23	24
color	WHT/BLK	WHT/BRN	WHT/RED	WHT/ORG	WHT/YEL	WHT/GRN	WHT/BLU	WHT/PUR	WHT/GRY	BLK/RED	BLK/BRN	Transparent

Remark: "1" : the first wire from rotor side , F028-06S wire color sequence:BLK/BRN/RED/ORG/YEL/G-  
-RN , 24 color wires as one group , if more than 24wires, repeat as sequence , use number tube to tell  
group 1#, 2#....