

H Series Through Hole Slip Ring

Senring H series with a center bore ,applied to any device where requires to transmit big current ,high voltage, precise signals when 360° rotating. .



Main Features

- Designed for hydraulic, pneumatic channel or rotating shaft installation
- Advanced fiber brush technology (multi contact points) ensures reliable contact with low friction
- Hole size from 5mm to 300mm
- Standard product, stocks available
- Gold plated ring+ gold ally brush
- Support transmitting power with signals
- Customizations acceptable for circuits no. , current& voltage based on standard models

Model List

Model	ID(mm)	OD(mm)	Circuits no.
H0316	3	16	1~8
H0522	5	22	1~24
H0724	7	24.8	1~12
H0729	7	29	1~12
H0835	8	35	1~12
H1235	12.7	35	1~12
H1242	12.7	42	1~12
H1532	15	32.8	1~24
H2042	20	42	1~12
H1256	12.7	56	1~48
H1256F	12.7	56	1~48
H1286	12.7	86	1~96
H2056	20	56	1~12
H2056F	20	56	1~48
H2069	20	69	1~48
H2578	25.4	78	1~96
H2586	25.4	86	1~72
H2586F	25.4	86	1~72
H25119	25.4	119	1~144
H3099	30	99	1~72

Model	ID (mm)	OD(mm)	Circuits no.
H3899	38.1	99	1~72
H3899F	38.1	99	1~72
H38119	38.1	119	1~108
H4086	40	86	1~48
H50119	50	119	1~108
H50119F	50	119	1~108
H60119	60	119	1~72
H50130	50	130	1~144
H60130	60	130	1~108
H70140	70	140	1~108
H70158	70	158	1~108
H80158	80	158	1~108
H90185	90	185	1~108
H100185	100	185	1~108
H120215	120	215	1~108
H150248	150	248	1~108
H180298	180	298	1~108
H200320	200	320	1~108
H250396	250	396	1~108
H300430	300	476	1~108

Senring 60% products are customized , pls inquire us if you have special Spec requirements.

Part No. description

H - ID OD	F - Power circuits no.	Signal circuits no.	Eroduct grade
H: through hole slip ring H3899:ID38.1mm,OD99mm H3899F:ID38.1mm,OD99mm with rotor flange H38120:ID38.1mm,OD120mm H4099:ID40mm,OD99mm H50120:ID50mm,OD120mm			C: standard level D:Industrial level H:High quality level
F: with rotor flange(optional)			Example: 06S:6circuits signal (0~2A) 12S:12circuits signal (0~2A)
			Example: 0610:6 circuits,10A per circuit 1220:2circuits,10A per circuit

Example

H50120-0610-06S : "H" through hole slip ring, "50120" ID50mm, OD120mm, "0610" 6 circuits power, "06S" 6 circuits signals (5A)

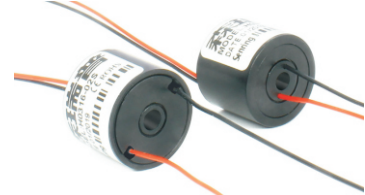
H3899-12S : "H" through hole slip ring, "3899" ID38.1mm, OD99mm, "12S" 12 circuits signals (5A)

H1256F-0610-D: "H" through hole slip ring, "3899" ID12.7mm, OD56mm, "0610" 6 circuits power, with rotor flange, "D" Industrial level

Color code of Lead Wire

ring#	1	2	3	4	5	6	7	8	9	10	11	12
color	BLK	BRN	RED	ORG	YEL	GRN	BLU	PUR	GRY	WHT	PINK	LGT BLU
ring#	13	14	15	16	17	18	19	20	21	22	23	24
color	WHT/BLK	WHT/BRN	WHT/RED	WHT/ORG	WHT/YEL	WHT/GRN	WHT/BLU	WHT/PUR	WHT/GRY	BLK/RED	BLK/BRN	Transparent

Remark: "1" : the first wire from rotor side , H1256-06S wire color sequence: BLK/BRN/RED/ORG/WHT/GRN , 24 color wires as one group , if more than 24wires, repeat as sequence , use number tube to tell group 1#, 2#....



H0316 Series

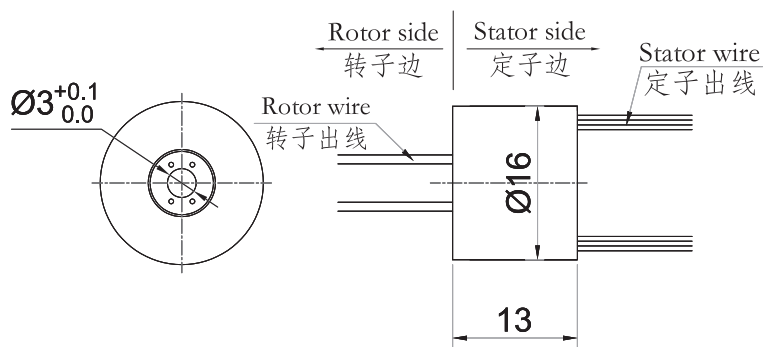
H0316 series standard precise slip ring, integrated structure design, with through hole 3mm , OD16mm , suitable for rotating application which requires a through hole <=3mm

Part No. Description

H0316 - Signal circuits no.

H:through hole slip ring
0316:ID 3mm, OD 16mm

Example:
06S:6circuits signal (0~2A)
12S:12circuits signal (0~2A)



Standard Model List

H0316 series model list		
Part no.	Circuits no. (signal or 0~2A)	Length L(mm)
H0316-02S	2	13.3
H0316-03S	3	13.3
H0316-04S	4	13.3
H0316-06S	6	21
H0316-08S	8	21

*Remark: Circuits can be combined in parallel for bigger current, N circuits of 2A to get N*2A, such as 2 circuits of 2A in parallel for 4A use.

Technical Specification

Mechanical		Electrical	
Spec	Data	Spec	Data
Working life	pls refer to product grade table	Rated voltage	0~240VAC/VDC
Rotating speed	pls refer to product grade table	Insulation resistance	$\geq 500\text{m}\Omega/500\text{VDC}$
Working temp.	-30°C~80°C	Lead wire spec.	AWG26# Silver-plated teflon
Work humidity	0~85% RH	Lead wire length	standard 300mm(can be customized)
Contact material	pls refer to produce grade table	Dielectric Strength	500VAC@50Hz,60s
Housing material	AL alloy	Electrical noise	<0.01Ω
Torque	0.05N.m (+0.02N.m/6circuits)		
IP grade	IP51		

Color code of Lead Wire

ring#	1	2	3	4	5	6	7	8	9	10	11	12
color	BLK	BRN	RED	ORG	YEL	GRN	BLU	PUR	GRY	WHT	PINK	LGT BLU

Remark:"1" : the first wire from rotor side , M125A-06 wire color sequence: BLK/BRN/RED/ORG/WHT/GRN , 24 color wires as one group , if more than 24wires, repeat as sequence , use number tube to tell group 1#, 2#....

H0522 Series

H0522 series standard precise slip ring, integrated structure design, with through hole 5mm , OD22mm , suitable for rotating application which requires a through hole $\leq 5\text{mm}$ (remark: if need a hole $< 5\text{mm}$, can add a inner bushing)

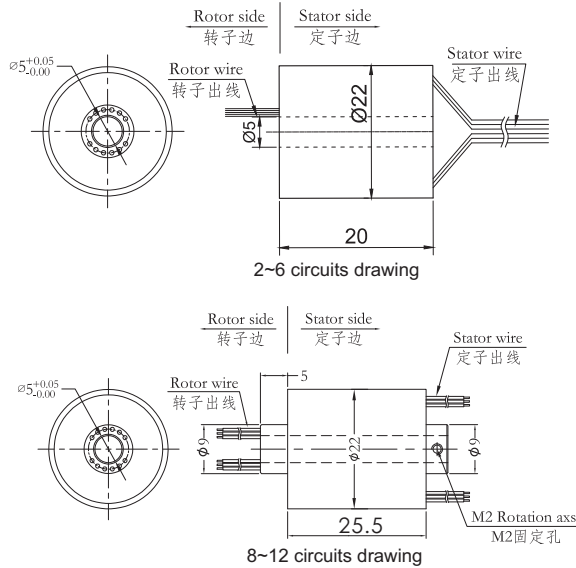
Part No. Description

H0522 - Signal circuits no. - Erodect grade

H:through hole slip ring
0522:ID 5mm, OD 22mm

Example:
06S:6circuits signal (0~2A)
12S:12circuits signal (0~2A)

Example:
C: standard level
D:Industrial level
H:High quality level



Standard Model List

H0522 series model list		
Part no.	Circuits no. (signal or 0~2A)	Length L(mm)
H0522-02S	2	20
H0522-03S	3	20
H0522-04S	4	20
H0522-06S	6	20
H0522-08S	8	25.5
H0522-10S	10	25.5
H0522-12S	12	25.5

*Remark: Circuits can be combined in parallel for bigger current, N circuits of 2A to get N*2A, such as 2 circuits of 2A in parallel for 4A use.

Technical Specification

Mechanical		Electrical	
Spec	Data	Spec	Data
Working life	pls refer to product grade table	Rated voltage	0~240VAC/VDC
Rotating speed	pls refer to product grade table	Insulation resistance	$\geq 500\text{m}\Omega/500\text{VDC}$
Working temp.	-30°C~80°C	Lead wire spec.	AWG26# Silver-plated teflon
Work humidity	0~85% RH	Lead wire length	standard 300mm(can be customized)
Contact material	pls refer to produce grade table	Dielectric Strength	500VAC@50Hz,60s
Housing material	AL alloy	Electrical noise	$< 0.01\Omega$
Torque	0.05N.m (+0.02N.m/6circuits)		
IP grade	IP51		

Color code of Lead Wire

ring#	1	2	3	4	5	6	7	8	9	10	11	12
color	BLK	BRN	RED	ORG	YEL	GRN	BLU	PUR	GRY	WHT	PINK	LGT BLU

H0724 Series

H0729 series standard precise slip ring, integrated structure design, with through hole 7mm , OD29mm , suitable for rotating application which requires a through hole <=7mm (remark: if need a hole <7mm, can add a inner bushing)



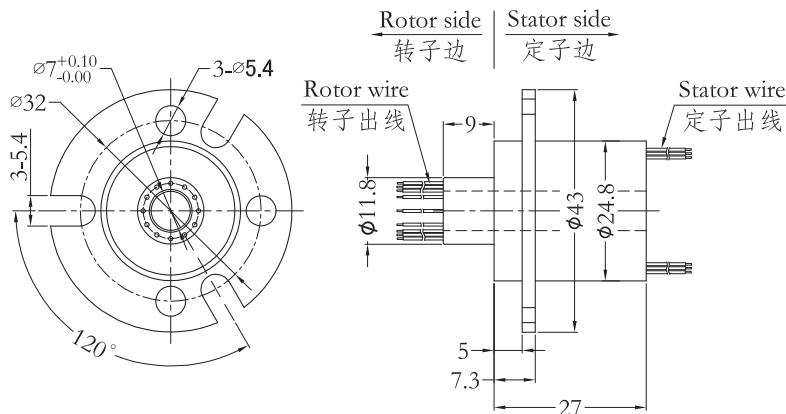
Part No. Description

H0724 - Signal circuits no. - Erodect grade

H:through hole slip ring
0724:ID 7mm, OD 24mm

Example:
06S:6circuits signal (0~2A)
12S:12circuits signal (0~2A)

Example:
C: standard level
D:Industrial level
H:High quality level



Standard Model List

H0724 series model list		
Part no.	Crcuits no. (signal or 0~2A)	Length L(mm)
H0724-02S	2	26.7
H0724-03S	3	26.7
H0724-04S	4	26.7
H0724-06S	6	26.7
H0724-08S	8	26.7
H0724-10S	10	26.7
H0724-12S	12	26.7

*Remark: Circuits can be combined in parallel for bigger current,N circuits of 2A to get N*2A, such as 2 circuits of 2A in parallel for 4A use.

Technical Specification

Mechanical		Electrical	
Spec	Data	Spec	Data
Working life	pls refer to product grade table	Rated voltage	0~240VAC/VDC
Rotating speed	pls refer to product grade table	Insulation resistance	≥500mΩ/500VDC
Working temp.	-30°C~80°C	Lead wire spec.	AWG26# Silver-plated teflon
Work humidity	0~85% RH	Lead wire length	standard 300mm(can be customized)
Contact material	pls refer to produce grade table	Dielectric Strength	500VAC@50Hz,60s
Housing material	AL alloy	Electrical noise	<0.01Ω
Torque	0.05N.m (+0.02N.m/6circuits)		
IP grade	IP51		

Product Grade Table

Grade code	Max rotating speed	Working life	Contact material
C:standard	250RPM	20millisons revolutions	precious metal
D:industrial	600RPM	60millisons revolutions	precious metal
H:high quality	1000RPM	150millisons revolutions	gold alloy

H0729 Series



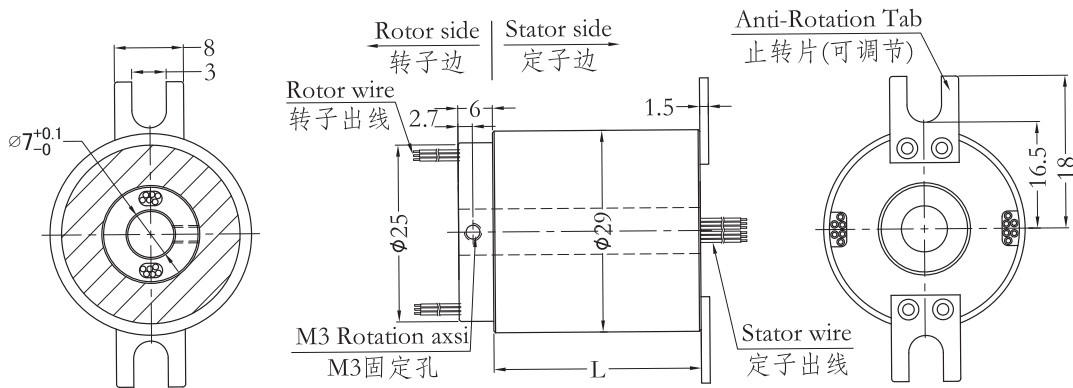
H0729 series standard precise slip ring, integrated structure design, with through hole 7mm , OD29mm , suitable for rotating application which requires a through hole ≤ 7 mm (remark: if need a hole < 7 mm, can add a inner bushing)

Part No. Description

H0729 - Signal circuits no. - Eproduct grade

H:through hole slip ring
0729:ID 7mm, OD 29mm
Example:
06S:6circuits signal (0~2A)
12S:12circuits signal (0~2A)

Example:
C: standard level
D:Industrial level
H:High quality level



Standard Model List

H0729 series model list			
Part no.	Circuits no.		Length L(mm)
	0~10A	Circuits no. (signal or 0~2A)	
H0729-02S	0	2	30
H0729-0210	2	0	30
H0729-03S	0	3	30
H0729-0310	3	0	30
H0729-04S	0	4	30
H0729-0210-04S	2	4	30
H0729-0410-02S	4	2	30
H0729-0610	6	0	30
H0729-12S	0	12	46.8
H0729-0210-10S	2	10	46.8
H0729-0310-09S	3	9	46.8
H0729-0410-08S	4	8	46.8
H0729-0610-06S	6	6	46.8
H0729-0810-04S	8	4	46.8
H0729-1210	12	0	46.8

* Remark: Circuits can be combined in parallel for bigger current, N circuits of 5A to get N*5A, such as 2 circuits of 5A in parallel for 10A use.

Technical Specification

Mechanical		Electrical	
Spec	Data	Spec	Data
Working life	pls refer to product grade table	Rated voltage	0~240VAC/VDC
Rotating speed	pls refer to product grade table	Insulation resistance	≥ 500mΩ/500VDC
Working temp.	-30°C~80°C	Lead wire spec.	AWG26# Silver-plated teflon
Work humidity	0~85% RH	Lead wire length	standard 300mm(can be customized)
Contact material	pls refer to produce grade table	Dielectric Strength	500VAC@50Hz,60s
Housing material	AL alloy	Electrical noise	<0.01Ω
Torque	0.05N.m (+0.02N.m/6circuits)		
IP grade	IP51		

Product Grade Table

Grade code	Max rotating speed	Working life	Contact material
C:standard	250RPM	20millisons revolutions	precious metal
D:industrial	600RPM	60millisons revolutions	precious metal
H:high quality	1000RPM	150millisons revolutions	gold alloy

H0835 Series

H0835series standard precise slip ring, integrated structure design, with through hole 8mm , OD35mm , suitable for rotating application which requires a through hole <=8mm (remark: if need a hole <8mm, can add a inner bushing)



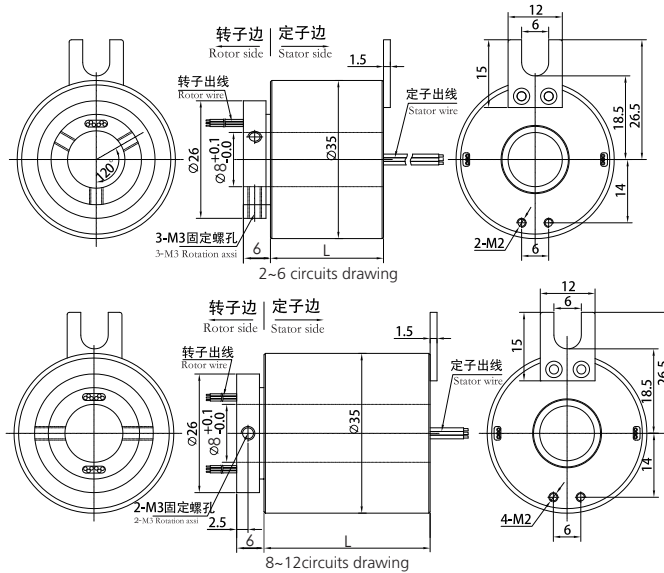
Part No. Description

H0835 - Signal circuits no. - Eroduct grade

H:through hole slip ring
0835:ID 8mm, OD 35mm

Example:
06S:6circuits signal (0~2A)
12S:12circuits signal (0~2A)

Example:
C: standard level
D:Industrial level
H:High quality level



Standard Model List

H0835 series model list			
Part no.	Max current /circuit	Circuits no.	Length L(mm)
H0835-0230	30A	2	25
H0835-0320	20A	3	25
H0835-0605	5A	6	25
H0835-0610	10A	6	25
H0835-1205	5A	12	36.4

*Remark: Circuits can be combined in parallel for bigger current, N circuits of 2A to get N*2A, such as 2 circuits of 2A in parallel for 4A use.

Technical Specification

Mechanical		Electrical	
Spec	Data	Spec	Data
Working life	pls refer to product grade table	Rated voltage	0~440VAC/VDC
Rotating speed	pls refer to product grade table	Insulation resistance	≥500mΩ/500VDC
Working temp.	-30°C~80°C	Lead wire spec.	AWG22# Silver-plated teflon
Work humidity	0~85% RH	Lead wire length	standard 300mm(can be customized)
Contact material	pls refer to produce grade table	Dielectric Strength	500VAC@50Hz,60s
Housing material	AL alloy	Electrical noise	<0.01Ω
Torque	0.05N.m (+0.02N.m/6circuits)		
IP grade	IP51		

Product Grade Table

Grade code	Max rotating speed	Working life	Contact material
C:standard	250RPM	20millisons revolutions	precious metal
D:industrial	600RPM	60millisons revolutions	precious metal
H:high quality	1000RPM	150millisons revolutions	gold alloy

H1235 Series

H1235 series standard precise slip ring, integrated structure design, with through hole 12mm , OD35mm , suitable for rotating application which requires a through hole <=35mm
(remark: if need a hole <7mm, can add a inner bushing)



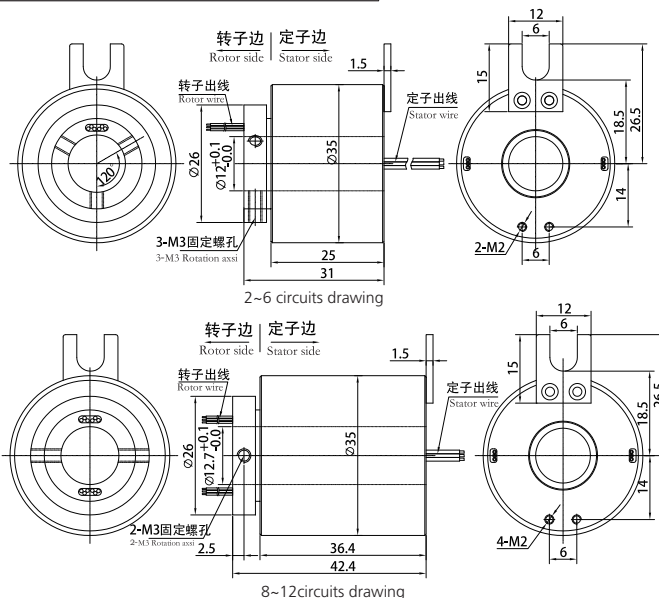
Part No. Description

1235:ID 12(1~6circuits)
/12.7mm(7~12circuits)
OD 35mm

Example:
0605:6circuits signal (0~5A)
1205:12circuits signal (0~5A)

H1235 - Signal circuits no. - Eroduct grade

Example:
C: standard level
D:Industrial level
H:High quality level



Standard Model List

H1235 series model list		
Part no.	Circuits no. (signal or 0~2A)	Length L(mm)
H1235-0205	2	25
H1235-0305	3	25
H1235-0405	4	25
H1235-0605	6	25
H1235-0805	8	36.4
H1235-1005	10	36.4
H1235-1205	12	36.4

*Remark: Circuits can be combined in parallel for bigger current, N circuits of 2A to get N*2A, such as 2 circuits of 2A in parallel for 4A use.

Technical Specification

Mechanical		Electrical	
Spec	Data	Spec	Data
Working life	pls refer to product grade table	Rated voltage	0~240VAC/VDC
Rotating speed	pls refer to product grade table	Insulation resistance	≥500mΩ/500VDC
Working temp.	-30°C~80°C	Lead wire spec.	AWG22# Silver-plated teflon
Work humidity	0~85% RH	Lead wire length	standard 300mm(can be customized)
Contact material	pls refer to produce grade table	Dielectric Strength	500VAC@50Hz,60s
Housing material	AL alloy	Electrical noise	<0.01Ω
Torque	0.05N.m (+0.02N.m/6circuits)		
IP grade	IP51		

Product Grade Table

Grade code	Max rotating speed	Working life	Contact material
C:standard	250RPM	20millisnons revolutions	precious metal
D:industrial	600RPM	60millisnons revolutions	precious metal
H:high quality	1000RPM	150millisnons revolutions	gold alloy

H1242 Series

H1242 series standard precise slip ring, integrated structure design, with through hole 12.7mm , OD42mm , suitable for rotating application which requires a through hole <=42mm (remark: if need a hole <12.7mm, can add a inner bushing)



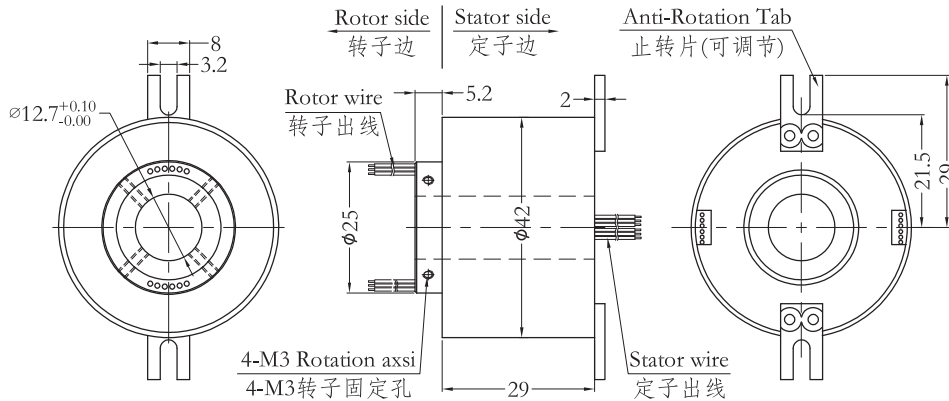
Part No. Description

H1242 - Signal circuits no. - Erodect grade

H:through hole slip ring
1242:ID 12.7mm, OD 42mm

Example:
06S:6circuits signal (0~2A)
12S:12circuits signal (0~2A)

Example:
C: standard level
D:Industrial level
H:High quality level



Standard Model List

H1242 series model list		
Part no.	Circuits no. (signal or 0~2A)	Length L(mm)
H1242-02S	2	29
H1242-03S	3	29
H1242-04S	4	29
H1242-06S	6	29
H1242-08S	8	29
H1242-10S	10	29
H1242-12S	12	29

*Remark: Circuits can be combined in parallel for bigger current, N circuits of 2A to get N*2A, such as 2 circuits of 2A in parallel for 4A use.

Technical Specification

Mechanical		Electrical	
Spec	Data	Spec	Data
Working life	pls refer to product grade table	Rated voltage	0~240VAC/VDC
Rotating speed	pls refer to product grade table	Insulation resistance	≥500mΩ /500VDC
Working temp.	-30°C~80°C	Lead wire spec.	AWG26# Silver-plated teflon
Work humidity	0~85% RH	Lead wire length	standard 300mm(can be customized)
Contact material	pls refer to produce grade table	Dielectric Strength	500VAC@50Hz, 60s
Housing material	AL alloy	Electrical noise	<0.01Ω
Torque	0.05N.m (+0.02N.m/6circuits)		
IP grade	IP51		

Product Grade Table

Grade code	Max rotating speed	Working life	Contact material
C:standard	250RPM	20millisons revolutions	precious metal
D:industrial	600RPM	60millisons revolutions	precious metal
H:high quality	1000RPM	150millisons revolutions	gold alloy



H1256 Series

H1256 series standard precise slip ring, integrated structure design, with through hole 12.7mm , OD56mm , suitable for rotating application which requires a through hole $\leq 12.7\text{mm}$ (remark: if need a hole $< 12.7\text{mm}$, can add a inner bushing)

Part No. description

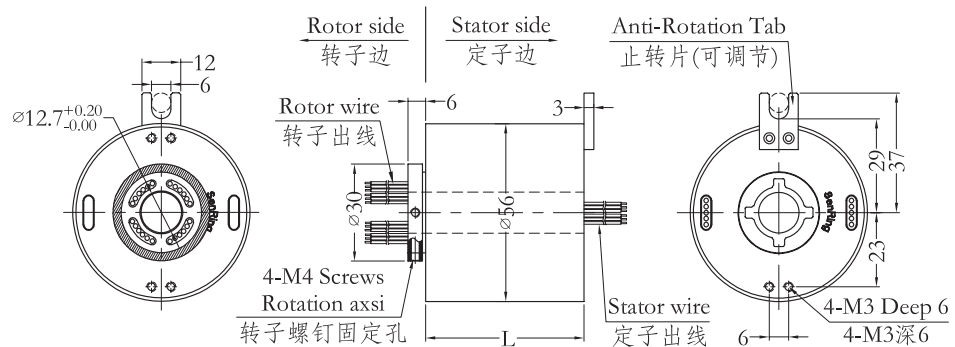
H1256 - Power circuits no. - Signal circuits no. - Erodect grade

H:through hole slip ring
1256:ID 12.7mm, OD 56mm

Example:
0610:6 circuits,10A per circuit
1220:2circuits,10A per circuit

Example:
C : standard level
D:Industrial level
H:High quality level

Example:
06S:6circuits signal (0~2A)
12S:12circuits signal (0~2A)



Standard Model List

H1256 series model list							
Part no.	Circuits		Length L(mm)	Part no.	Circuits		Length L(mm)
	10A	Signal or 0~5A			10A	Signal or 0~5A	
H1256-02S	0	2	27	H1256-1010-08S	10	8	71.5
H1256-0210	2	0	27	H1256-1210-06S	12	6	71.5
H1256-03S	0	3	30	H1256-1410-04S	14	4	71.5
H1256-0310	3	0	30	H1256-1610-02S	16	2	71.5
H1256-06S	0	6	38	H1256-24S	0	24	88.5
H1256-0210-04S	2	4	38	H1256-0410-20S	4	20	88.5
H1256-0410-02S	4	2	38	H1256-0610-18S	6	18	88.5
H1256-0610	6	0	38	H1256-1210-12S	12	12	88.5
H1256-12S	0	12	55	H1256-1810-06S	18	6	88.5
H1256-0210-10S	2	10	55	H1256-2410	24	0	88.5
H1256-0310-09S	3	9	55	H1256-30S	0	30	104
H1256-0610-06S	6	6	55	H1256-0210-28S	2	28	104
H1256-0810-04S	8	4	55	H1256-0410-26S	4	26	104
H1256-1010-02S	10	2	55	H1256-0610-24S	6	24	104
H1256-1210	12	0	55	H1256-36S	0	36	122
H1256-18S	0	18	71.5	H1256-0410-32S	4	32	122
H1256-0210-16S	2	16	71.5	H1256-0610-30S	6	30	122
H1256-0410-14S	4	14	71.5	H1256-42S	0	42	140
H1256-0610-12S	6	12	71.5	H1256-0410-38S	4	38	140
H1256-0810-10S	8	10	71.5	H1256-48S	0	48	156

* Remark:Circuits can be combined in parallel for bigger current, N circuits of 10A to get N*10A,such as 2 circuits of 10A in parallel for 20A use. 10A circuits No. and signal circuits (5A) No. can be customized based on standard products,pls inquiry Senring for details.

Technical Specification

Mechanical		Electrical		
Spec	Data	Spec	Data	
Working life	pls refer to product grade table		Power	Signal
Rotating speed	pls refer to product grade table	Rated voltage	0~440VAC/VDC	0~440VAC/VDC
Working temp.	-30°C~80°C	Insulation resistance	≥1000mΩ/500VDC	≥1000mΩ/500VDC
Work humidity	0~85% RH	Lead wire spec	AWG17# Silver-plated teflon	AWG22# Silver-plated teflon
Contact material	pls refer to produce grade table	Lead wire length	standard 300mm(can be customized)	
Housing material	AL alloy	Dielectric Strength	800VAC@50Hz,60s	
Torque	0.05N.m (+0.02N.m/6circuits)	Electrical noise	<0.01Ω	
IP grade	IP51			

Product Grade Table

Grade code	Max rotating speed	Working life	Contact material
C:standard	250RPM	20millisons revolutions	precious metal
D:industrial	600RPM	60millisons revolutions	precious metal
H:high quality	1000RPM	150millisons revolutions	gold alloy

Color code of Lead Wire

ring#	1	2	3	4	5	6	7	8	9	10	11	12
color	BLK	BRN	RED	ORG	YEL	GRN	BLU	PUR	GRY	WHT	PINK	LGT BLU
ring#	13	14	15	16	17	18	19	20	21	22	23	24
color	WHT/BLK	WHT/BRN	WHT/RED	WHT/ORG	WHT/YEL	WHT/GRN	WHT/BLU	WHT/PUR	WHT/GRY	BLK/RED	BLK/BRN	Transparent

Remark: "1" : the first wire from rotor side , H1256-06Swire color sequence: BLK/BRN/RED/ORG/WHT/GRN , 24 color wires as one group , if more than 24wires, repeat as sequence , use number tube to tell group 1#, 2#....

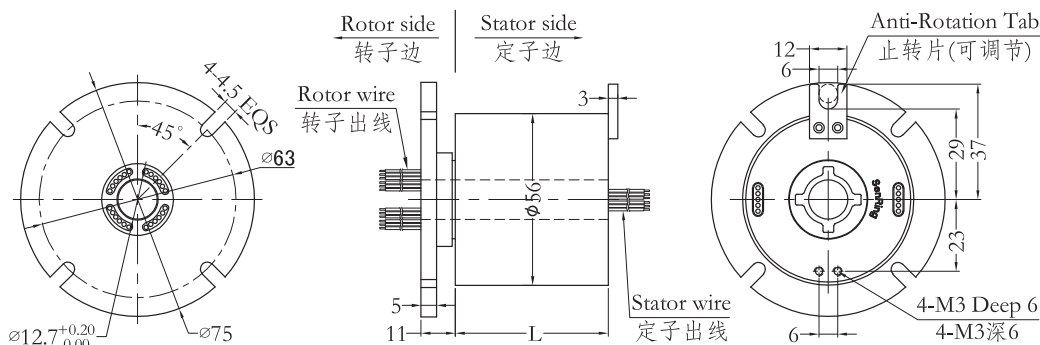


H1256 F Series

H1256F series standard precise slip ring with flange, integrated structure design, with through hole 12.7mm , OD56mm , suitable for rotating application which requires a through hole $\leq 12.7\text{mm}$ (remark: if need a hole $< 12.7\text{mm}$, can add a inner bushing) (remark: if need a hole $< 12.7\text{mm}$, can add a inner bushing)

Part No. description

H1256 - F - Power circuits no. - Signal circuits no. - Eproduct grade	
H:through hole slip ring 1256:ID 12.7mm, OD 56mm	Example: C: standard level D:Industrial level H:High quality level
F:with rotor flange(optional)	
Example: 0610:6 circuits,10A per circuit 1220:2circuits,10A per circuit	Example: 06S:6circuits signal (0~2A) 12S:12circuits signal (0~2A)



Standard Model List

H1256F series model list							
Part no.	Circuits		Length L(mm)	Part no.	Circuits		Length L(mm)
	10A	Signal or 0~5A			10A	Signal or 0~5A	
H1256F-02S	0	2	27	H1256F-1010-08S	10	8	71.5
H1256F-0210	2	0	27	H1256F-1210-06S	12	6	71.5
H1256F-03S	0	3	30	H1256F-1410-04S	14	4	71.5
H1256F-0310	3	0	30	H1256F-1610-02S	16	2	71.5
H1256F-06S	0	6	38	H1256F-24S	0	24	88.5
H1256F-0210-04S	2	4	38	H1256F-0410-20S	4	20	88.5
H1256F-0410-02S	4	2	38	H1256F-0610-18S	6	18	88.5
H1256F-0610	6	0	38	H1256F-1210-12S	12	12	88.5
H1256F-12S	0	12	55	H1256F-1810-06S	18	6	88.5
H1256F-0210-10S	2	10	55	H1256F-2410	24	0	88.5
H1256F-0310-09S	3	9	55	H1256F-30S	0	30	104
H1256F-0610-06S	6	6	55	H1256F-0210-28S	2	28	104
H1256F-0810-04S	8	4	55	H1256F-0410-26S	4	26	104
H1256F-1010-02S	10	2	55	H1256F-0610-24S	6	24	104
H1256F-1210	12	0	55	H1256F-36S	0	36	122
H1256F-18S	0	18	71.5	H1256F-0410-32S	4	32	122
H1256F-0210-16S	2	16	71.5	H1256F-0610-30S	6	30	122
H1256F-0410-14S	4	14	71.5	H1256F-42S	0	42	140
H1256F-0610-12S	6	12	71.5	H1256F-0410-38S	4	38	140
H1256F-0810-10S	8	10	71.5	H1256F-48S	0	48	156

*Remark:Circuits can be combined in parallel for bigger current,N circuits of 10A to get N*10A, such as 2 circuits of 10A in parallel for 20A use. 10A circuits No. and signal circuits (5A) No. can be customized based on standard products,pls inquiry Senring for details.

Technical Specification

Mechanical		Electrical		
Spec	Data	Spec	Data	
Working life	pls refer to product grade table		Power	Signal
Rotating speed	pls refer to product grade table	Rated voltage	0~440VAC/VDC	0~440VAC/VDC
Working temp.	-30°C~80°C	Insulation resistance	≥ 1000mΩ/500VDC	≥ 1000mΩ/500VDC
Work humidity	0~85% RH	Lead wire spec	AWG17# Silver-plated teflon	AWG22# Silver-plated teflon
Contact material	pls refer to produce grade table	Lead wire length	standard 300mm(can be customized)	
Housing material	AL alloy	Dielectric Strength	800VAC@50Hz,60s	
Torque	0.05N.m (+0.02N.m/6circuits)	Electrical noise	<0.01Ω	
IP grade	IP51			

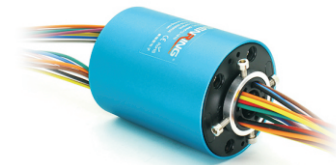
Product Grade Table

Grade code	Max rotating speed	Working life	Contact material
C:standard	250RPM	20millisons revolutions	precious metal
D:industrial	600RPM	60millisons revolutions	precious metal
H:high quality	1000RPM	150millisons revolutions	gold alloy

Color code of Lead Wire

ring#	1	2	3	4	5	6	7	8	9	10	11	12
color	BLK	BRN	RED	ORG	YEL	GRN	BLU	PUR	GRY	WHT	PINK	LGT BLU
ring#	13	14	15	16	17	18	19	20	21	22	23	24
color	WHT/BLK	WHT/BRN	WHT/RED	WHT/ORG	WHT/YEL	WHT/GRN	WHT/BLU	WHT/PUR	WHT/GRY	BLK/RED	BLK/BRN	Transparent

Remark: "1" : the first wire from rotor side ,H1256F-06S wire color sequence: BLK/BRN/RED/ORG/WHT/GRN , 24 color wires as one group , if more than 24wires, repeat as sequence , use number tube to tell group 1#, 2#....



H1286 Series

H1286 series standard precise slip ring, integrated structure design, with through hole 12.7mm , OD86mm , suitable for rotating application which requires a through hole $\leq 12.7\text{mm}$ (remark: if need a hole $< 12.7\text{mm}$, can add a inner bushing)

Part No. description

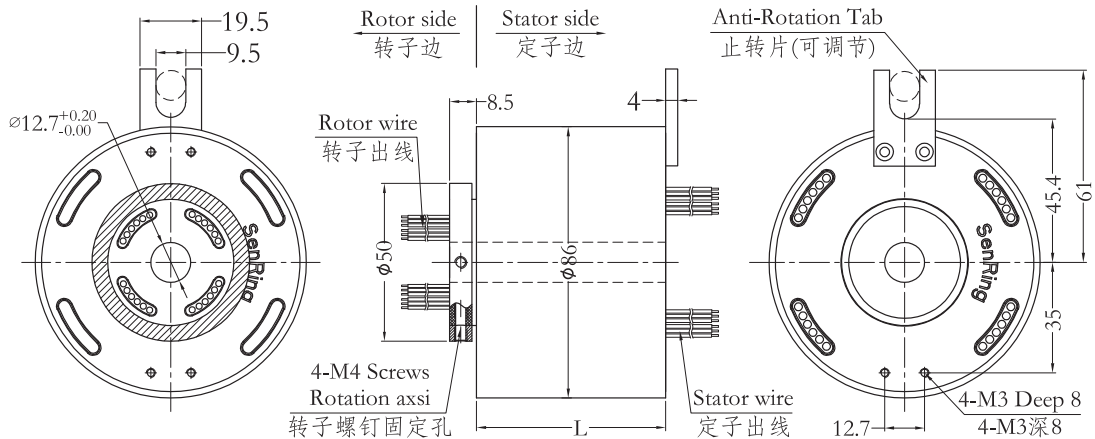
H1286 - Power circuits no. - Signal circuits no. - Eproduct grade

H:through hole slip ring
1286:ID 12.7mm, OD 86mm

Example:
0610:6 circuits,10A per circuit
1220:2circuits,10A per circuit

Example:
C: standard level
D:Industrial level
H:High quality level

Example:
06S:6circuits signal (0~2A)
12S:12circuits signal (0~2A)



Standard Model List

H1286 series model list							
Part no	10A	Signal or 0~5A	Length L(mm)	Part no.	10A	Signal or 0~5A	Length L(mm)
H1286-02S	0	2	32	H1286-2410-06S	24	6	144
H1286-0210	2	0	32	H1286-3010	30	0	144
H1286-03S	0	3	36	H1286-36S	0	36	168
H1286-0310	3	0	36	H1286-0610-30S	6	30	168
H1286-06S	0	6	48	H1286-1210-S24	12	24	168
H1286-0210-04S	2	4	48	H1286-3610	36	0	168
H1286-0410-02S	4	2	48	H1286-42S	0	42	192
H1286-0610	6	0	48	H1286-0610-36S	6	36	192
H1286-12S	0	12	72	H1286-1210-30S	12	30	192
H1286-0210-10S	2	10	72	H1286-4210	42	0	192
H1286-0310-09S	3	9	72	H1286-48S	0	48	216
H1286-0610-06S	6	6	72	H1286-0610-42S	6	42	216
H1286-0810-04S	8	4	72	H1286-1210-36S	12	36	216
H1286-1010-02S	10	2	72	H1286-1810-30S	18	30	216
H1286-1210	12	0	72	H1286-2410-24S	24	24	216
H1286-18S	0	18	96	H1286-4810	48	0	216
H1286-0210-16S	2	16	96	H1286-60S	0	60	264
H1286-0410-14S	4	14	96	H1286-0610-54S	6	54	264
H1286-0610-12S	6	12	96	H1286-0910-51S	9	51	264
H1286-0810-10S	8	10	96	H1286-1210-48S	12	48	264
H1286-1010-08S	10	8	96	H1286-2410-36S	24	36	264
H1286-1210-06S	12	6	96	H1286-72S	0	72	312

H1286 series model list							
Part no	10A	Signal or 0~5A	Length L(mm)	Part no.	10A	Signal or 0~5A	Length L(mm)
H1286-1410-04S	14	4	96	H1286-1210-60S	12	60	312
H1286-1610-02S	16	2	96	H1286-2410-48S	24	48	312
H1286-24S	0	24	120	H1286-3610-36S	36	36	312
H1286-0410-20S	4	20	120	H1286-84S	0	84	360
H1286-0610-18S	6	18	120	H1286-1210-72S	12	72	360
H1286-1210-12S	12	12	120	H1286-2410-60S	24	60	360
H1286-1810-06S	18	6	120	H1286-3610-48S	36	48	360
H1286-2410	24	0	120	H1286-96S	0	96	408
H1286-30S	0	30	144	H1286-1210-84S	12	84	408
H1286-0610-24S	6	24	144	H1286-2410-72S	24	72	408
H1286-1210-18S	12	18	144	H1286-3610-60S	36	60	408
H1286-1810-12S	18	12	144	H1286-4210-54S	42	54	408

*Remark: Circuits can be combined in parallel for bigger current, N circuits of 10A to get N*10A, such as 2 circuits of 10A in parallel for 20A use. 10A circuits No. and signal circuits (5A) No. can be customized based on standard products, pls inquiry Senring for details.

Technical Specification

Mechanical		Electrical		
Spec	Data	Spec	Data	
Working life	pls refer to product grade table		Power	Signal
Rotating speed	pls refer to product grade table	Rated voltage	0~690VAC/VDC	0~440VAC/VDC
Working temp.	-30°C~80°C	Insulation resistance	≥1000mΩ/500VDC	≥1000mΩ/500VDC
Work humidity	0~85% RH	Lead wire spec	AWG17# Silver-plated teflon	AWG22# Silver-plated teflon
Contact material	pls refer to produce grade table	Lead wire length	standard 300mm(can be customized)	
Housing material	AL alloy	Dielectric Strength	800VAC@50Hz,60s	
Torque	0.05N.m (+0.02N.m/6circuits)	Electrical noise	<0.01Ω	
IP grade	IP51			

Product Grade Table

Grade code	Max rotating speed	Working life	Contact material
C:standard	400RPM	20millions revolutions	precious metal
D:industrial	800RPM	60millions revolutions	precious metal
H:high quality	1200RPM	150millions revolutions	gold alloy

Color code of Lead Wire

ring#	1	2	3	4	5	6	7	8	9	10	11	12
color	BLK	BRN	RED	ORG	YEL	GRN	BLU	PUR	GRY	WHT	PINK	LGT BLU
ring#	13	14	15	16	17	18	19	20	21	22	23	24
color	WHT/BLK	WHT/BRN	WHT/RED	WHT/ORG	WHT/YEL	WHT/GRN	WHT/BLU	WHT/PUR	WHT/GRY	BLK/RED	BLK/BRN	Transparent

Remark: "1" : the first wire from rotor side ,H1286-06S wire color sequence: BLK/BRN/RED/ORG/WHT/GRN , 24 color wires as one group , if more than 24wires, repeat as sequence , use number tube to tell group 1#, 2#....



H1532 Series

H1532 series standard precise slip ring, integrated structure design, with through hole 15mm , OD32.8mm , suitable for rotating application which requires a through hole <=15mm (remark: if need a hole <15mm, can add a inner bushing)

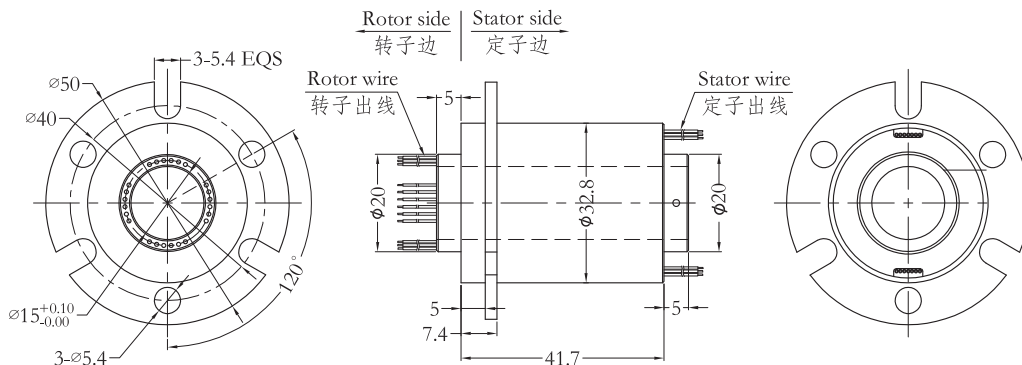
Part No. description

H1532 - Signal circuits no. - Eproduct grade

H:through hole slip ring
1532:ID 15mm, OD 32mm

Example:
06S:6circuits signal (0~2A)
12S:12circuits signal (0~2A)

Example:
C: standard level
D:Industrial level
H:High quality level



Standard Model List

H1532 series model list		
Part no.	Signal or 0~2A	Length L(mm)
H1532-06S	6	41.7
H1532-12S	12	41.7
H1532-18S	18	41.7
H1532-24S	24	41.7

* Remark: Circuits can be combined in parallel for bigger current,N circuits of 2A to get N*2A, such as 2 circuits of 2A in parallel for 4A use.

Technical Specification

Mechanical		Electrical	
Spec	Data	Spec	Data
Working life	pls refer to product grade table	Rated voltage	0~240VAC/VDC
Rotating speed	pls refer to product grade table	Insulation resistance	≥500mΩ/500VDC
Working temp.	-30°C~80°C	Lead wire spec.	AWG28# Silver-plated teflon
Work humidity	0~85% RH	Lead wire length	standard 300mm(can be customized)
Contact material	pls refer to produce grade table	Dielectric Strength	500VAC@50Hz,60s
Housing material	AL alloy	Electrical noise	<0.01Ω
Torque	0.05N.m (+0.02N.m/6circuits)		
IP grade	IP51		

Product Grade Table

Grade code	Max rotating speed	Working life	Contact material
C:standard	250RPM	20millisons revolutions	precious metal
D:industrial	600RPM	60millisons revolutions	precious metal
H:high quality	1000RPM	150millisons revolutions	gold alloy

H2056 Series



H2056 series standard precise slip ring, integrated structure design, with through hole 20mm , OD56mm , suitable for rotating application which requires a through hole $\leq 20\text{mm}$ (remark: if need a hole $< 20\text{mm}$, can add a inner bushing)

Part No. description

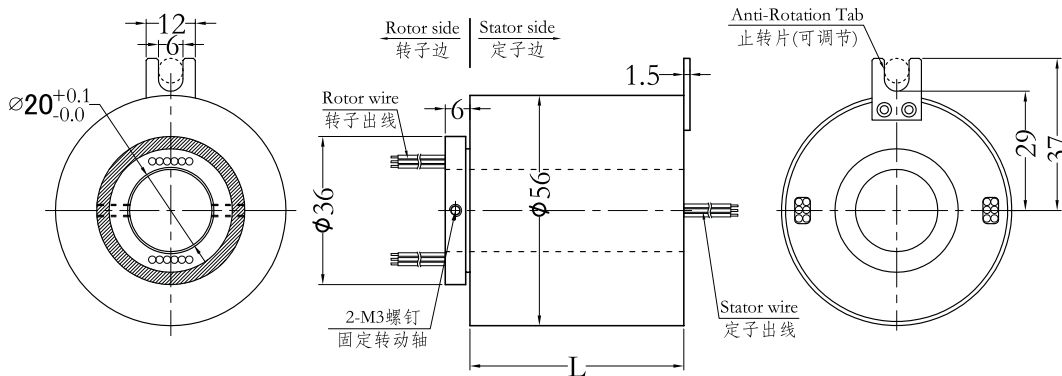
H2056 - Power circuits no. - Signal circuits no. - Eproduct grade

H:through hole slip ring
1286:ID 20mm, OD 56mm

Example:
0610:6 circuits,10A per circuit
1220:2circuits,10A per circuit

Example:
C: standard level
D:Industrial level
H:High quality level

Example:
06S:6circuits signal (0~2A)
12S:12circuits signal (0~2A)



Standard Model List

H2056 series model list							
Part no.	Circuits		Length L(mm)	Part no.	Circuits		Length L(mm)
	10A	Signal or 0~5A			10A	Signal or 0~5A	
H2056-02S	0	2	23	H2056-1010-08S	10	8	68.5
H2056-0210	2	0	23	H2056-1210-06S	12	6	68.5
H2056-03S	0	3	26	H2056-1410-04S	14	4	68.5
H2056-0310	3	0	26	H2056-1610-02S	16	2	68.5
H2056-06S	0	6	34	H2056-24S	0	24	85.5
H2056-0210-04S	2	4	34	H2056-0410-20S	4	20	85.5
H2056-0410-02S	4	2	34	H2056-0610-18S	6	18	85.5
H2056-0610	6	0	34	H2056-1210-12S	12	12	85.5
H2056-12S	0	12	52	H2056-1810-06S	18	6	85.5
H2056-0210-10S	2	10	52	H2056-2410	24	0	85.5
H2056-0310-09S	3	9	52	H2056-30S	0	30	101
H2056-0610-06S	6	6	52	H2056-0210-28S	2	28	101
H2056-0810-04S	8	4	52	H2056-0410-26S	4	26	101
H2056-1010-02S	10	2	52	H2056-0610-24S	6	24	101
H2056-1210	12	0	52	H2056-36S	0	36	119
H2056-18S	0	18	68.5	H2056-0410-32S	4	32	119
H2056-0210-16S	2	16	68.5	H2056-0610-30S	6	30	119
H2056-0410-14S	4	14	68.5	H2056-42S	0	42	137
H2056-0610-12S	6	12	68.5	H2056-0410-38S	4	38	137
H2056-0810-10S	8	10	68.5	H2056-48S	0	48	153

*Remark:Circuits can be combined in parallel for bigger current,N circuits of 10A to get N*10A, such as 2 circuits of 10A in parallel for 20A use.10A circuits No. and signal circuits (5A) No. can be customized based on standard products, pls inquiry Senring for details.

Technical Specification

Mechanical		Electrical		
Spec	Data	Spec	Data	
Working life	pls refer to product grade table		Power	Signal
Rotating speed	pls refer to product grade table	Rated voltage	0~440VAC/VDC	0~440VAC/VDC
Working temp.	-30°C~80°C	Insulation resistance	≥1000mΩ/500VDC	≥1000mΩ/500VDC
Work humidity	0~85% RH	Lead wire spec	AWG17# Silver-plated teflon	AWG22# Silver-plated teflon
Contact material	pls refer to produce grade table	Lead wire length	standard 300mm(can be customized)	
Housing material	AL alloy	Dielectric Strength	800VAC@50Hz,60s	
Torque	0.05N.m (0.02N.m/6circuits)	Electrical noise	<0.01Ω	
IP grade	IP51			

Product Grade Table

Grade code	Max rotating speed	Working life	Contact material
C:standard	400RPM	20millisons revolutions	precious metal
D:industrial	800RPM	60millisons revolutions	precious metal
H:high quality	1200RPM	150millisons revolutions	gold alloy

Color code of Lead Wire

ring#	1	2	3	4	5	6	7	8	9	10	11	12
color	BLK	BRN	RED	ORG	YEL	GRN	BLU	PUR	GRY	WHT	PINK	LGT BLU
ring#	13	14	15	16	17	18	19	20	21	22	23	24
color	WHT/BLK	WHT/BRN	WHT/RED	WHT/ORG	WHT/YEL	WHT/GRN	WHT/BLU	WHT/PUR	WHT/GRY	BLK/RED	BLK/BRN	Transparent

Remark: "1" : the first wire from rotor side , H2056-06S wire color sequence: BLK/BRN/RED/ORG/WHT/GRN , 24 color wires as one group , if more than 24wires, repeat as sequence , use number tube to tell group 1#, 2#....

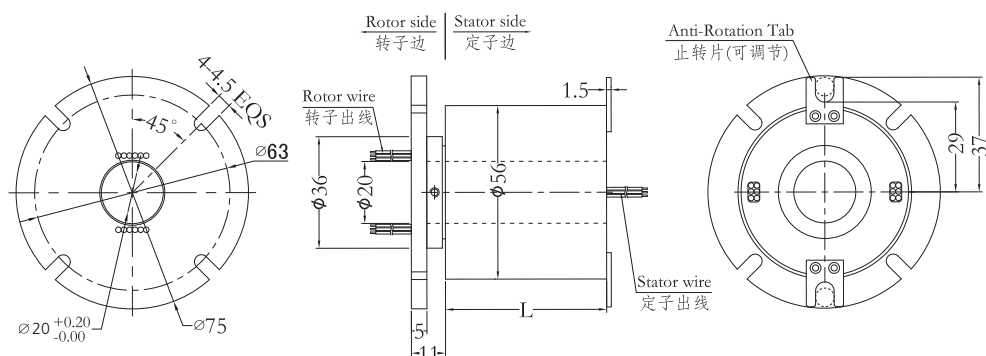
H2056F Series



H2056F series standard precise slip ring with flange, integrated structure design, with through hole 20mm , OD56mm , suitable for rotating application which requires a through hole <=20mm (remark: if need a hole <20mm, can add a inner bushing)

Part No. description

H2056 - F - Power circuits no. - Signal circuits no. - Erodect grade	
H:through hole slip ring 2056:ID 20mm, OD 56mm	Example: C : standard level D:Industrial level H:High quality level
F:with rotor flange(optional)	
Example: 0610:6 circuits,10A per circuit 1220:2circuits,10A per circuit	Example: 06S:6circuits signal (0~2A) 12S:12circuits signal (0~2A)



Standard Model List

H2056F series model list							
Part no.	Circuits		Length L(mm)	Part no.	Circuits		Length L(mm)
	10A	Signal or 0~5A			10A	Signal or 0~5A	
H2056F-02S	0	2	23	H2056F-1010-08S	10	8	68.5
H2056F-0210	2	0	23	H2056F-1210-06S	12	6	68.5
H2056F-03S	0	3	26	H2056F-1410-04S	14	4	68.5
H2056F-0310	3	0	26	H2056F-1610-02S	16	2	68.5
H2056F-06S	0	6	34	H2056F-24S	0	24	85.5
H2056F-0210-04S	2	4	34	H2056F-0410-20S	4	20	85.5
H2056F-0410-02S	4	2	34	H2056F-0610-18S	6	18	85.5
H2056F-0610	6	0	34	H2056F-1210-12S	12	12	85.5
H2056F-12S	0	12	52	H2056F-1810-06S	18	6	85.5
H2056F-0210-10S	2	10	52	H2056F-2410	24	0	85.5
H2056F-0310-09S	3	9	52	H2056F-30S	0	30	101
H2056F-0610-06S	6	6	52	H2056F-0210-28S	2	28	101
H2056F-0810-04S	8	4	52	H2056F-0410-26S	4	26	101
H2056F-1010-02S	10	2	52	H2056F-0610-24S	6	24	101
H2056F-1210	12	0	52	H2056F-36S	0	36	119
H2056F-18S	0	18	68.5	H2056F-0410-32S	4	32	119
H2056F-0210-16S	2	16	68.5	H2056F-0610-30S	6	30	119
H2056F-0410-14S	4	14	68.5	H2056F-42S	0	42	137
H2056F-0610-12S	6	12	68.5	H2056F-0410-38S	4	38	137
H2056F-0810-10S	8	10	68.5	H2056F-48S	0	48	153

*Remark:Circuits can be combined in parallel for bigger current, N circuits of 10A to get N*10A,such as 2 circuits of 10A in parallel for 20A use.10A circuits No. and signal circuits (5A) No. can be customized based on standard products,pls inquiry Senring for details.

Technical Specification

Spec	Mechanical		Electrical	
	Spec	Data	Spec	Data
Working life	pls refer to product grade table			Power
Rotating speed	pls refer to product grade table		Rated voltage	0~440VAC/VDC
Working temp.	-30°C~80°C		Insulation resistance	≥1000mΩ/500VDC
Work humidity	0~85% RH		Lead wire spec	AWG17# Silver-plated teflon
Contact material	pls refer to produce grade table		Lead wire length	standard 300mm(can be customized)
Housing material	AL alloy		Dielectric Strength	800VAC@50Hz,60s
Torque	0.05N.m (+0.02N.m/6circuits)		Electrical noise	<0.01Ω
IP grade	IP51			

Product Grade Table

Grade code	Max rotating speed	Working life	Contact material
C:standard	400RPM	20millisons revolutions	precious metal
D:industrial	800RPM	60millisons revolutions	precious metal
H:high quality	1200RPM	150millisons revolutions	gold alloy

Color code of Lead Wire

ring#	1	2	3	4	5	6	7	8	9	10	11	12
color	BLK	BRN	RED	ORG	YEL	GRN	BLU	PUR	GRY	WHT	PINK	LGT BLU
ring#	13	14	15	16	17	18	19	20	21	22	23	24
color	WHT/BLK	WHT/BRN	WHT/RED	WHT/ORG	WHT/YEL	WHT/GRN	WHT/BLU	WHT/PUR	WHT/GRY	BLK/RED	BLK/BRN	Transparent

Remark:"1" : the first wire from rotor side , H2056F-06S wire color sequence: BLK/BRN/RED/ORG/WHT/GRN , 24 color wires as one group , if more than 24wires, repeat as sequence , use number tube to tell group 1#, 2#....

H2069 Series



H2069 series standard precise slip ring, integrated structure design, with through hole 20mm , OD69mm , suitable for rotating application which requires a through hole <=20mm (remark: if need a hole <20mm, can add a inner bushing)

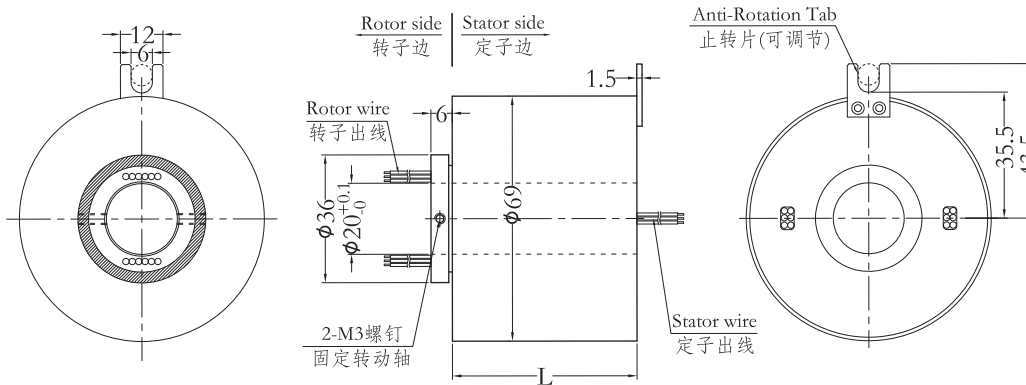
Part No. description

H2069 - Signal circuits no. - Eproduct grade

H:through hole slip ring
2069:ID 20mm, OD 69mm

Example:
06S:6circuits signal (0~2A)
12S:12circuits signal (0~2A)

Example:
C: standard level
D:Industrial level
H:High quality level



Standard Model List

H2069 series model list							
Part no.	Circuits		Length L(mm)	Part no.	Circuits		Length L(mm)
	10A	Signal or 0~5A			10A	Signal or 0~5A	
H2069-02S	0	2	23	H2069-1010-08S	10	8	68.5
H2069-0210	2	0	23	H2069-1210-06S	12	6	68.5
H2069-03S	0	3	26	H2069-1410-04S	14	4	68.5
H2069-0310	3	0	26	H2069-1610-02S	16	2	68.5
H2069-06S	0	6	34	H2069-24S	0	24	85.5
H2069-0210-04S	2	4	34	H2069-0410-20S	4	20	85.5
H2069-0410-02S	4	2	34	H2069-0610-18S	6	18	85.5
H2069-0610	6	0	34	H2069-1210-12S	12	12	85.5
H2069-12S	0	12	52	H2069-1810-06S	18	6	85.5
H2069-0210-10S	2	10	52	H2069-2410	24	0	85.5
H2069-0310-09S	3	9	52	H2069-30S	0	30	101
H2069-0610-06S	6	6	52	H2069-0210-28S	2	28	101
H2069-0810-04S	8	4	52	H2069-0410-26S	4	26	101
H2069-1010-02S	10	2	52	H2069-0610-24S	6	24	101
H2069-1210	12	0	52	H2069-36S	0	36	119
H2069-18S	0	18	68.5	H2069-0410-32S	4	32	119
H2069-0210-16S	2	16	68.5	H2069-0610-30S	6	30	119
H2069-0410-14S	4	14	68.5	H2069-42S	0	42	137
H2069-0610-12S	6	12	68.5	H2069-0410-38S	4	38	137
H2069-0810-10S	8	10	68.5	H2069-48S	0	48	153

*Remark:Circuits can be combined in parallel for bigger current,N circuits of 10A to get N*10A, such as 2 circuits of 10A in parallel for 20A use.10A circuits No. and signal circuits (5A) No. can be customized based on standard products,pls inquiry Senring for details.

Technical Specification

Mechanical		Electrical		
Spec	Data	Spec	Data	
Working life	pls refer to product grade table		Power	Signal
Rotating speed	pls refer to product grade table	Rated voltage	0~440VAC/VDC	0~440VAC/VDC
Working temp.	-30°C~80°C	Insulation resistance	≥1000mΩ/500VDC	≥1000mΩ/500VDC
Work humidity	0~85% RH	Lead wire spec	AWG17# Silver-plated teflon	AWG22# Silver-plated teflon
Contact material	pls refer to produce grade table	Lead wire length	standard 300mm(can be customized)	
Housing material	AL alloy	Dielectric Strength	800VAC@50Hz,60s	
Torque	0.05N.m (+0.02N.m/6circuits)	Electrical noise	<0.01Ω	
IP grade	IP51			

Product Grade Table

Grade code	Max rotating speed	Working life	Contact material
C:standard	400RPM	20millisons revolutions	precious metal
D:industrial	800RPM	60millisons revolutions	precious metal
H:high quality	1200RPM	150millisons revolutions	gold alloy

Color code of Lead Wire

ring#	1	2	3	4	5	6	7	8	9	10	11	12
color	BLK	BRN	RED	ORG	YEL	GRN	BLU	PUR	GRY	WHT	PINK	LGT BLU
ring#	13	14	15	16	17	18	19	20	21	22	23	24
color	WHT/BLK	WHT/BRN	WHT/RED	WHT/ORG	WHT/YEL	WHT/GRN	WHT/BLU	WHT/PUR	WHT/GRY	BLK/RED	BLK/BRN	Transparent

Remark:"1" : the first wire from rotor side , H2069-06S wire color sequence: BLK/BRN/RED/ORG/WHT/GRN , 24 color wires as one group , if more than 24wires, repeat as sequence , use number tube to tell group 1#, 2#....

H2578 Series



H2578 series standard precise slip ring, integrated structure design, with through hole 25.4mm , OD78mm , suitable for rotating application which requires a through hole $\leq 25.4\text{mm}$ (remark: if need a hole $< 25.4\text{mm}$, can add a inner bushing)

Part No. description

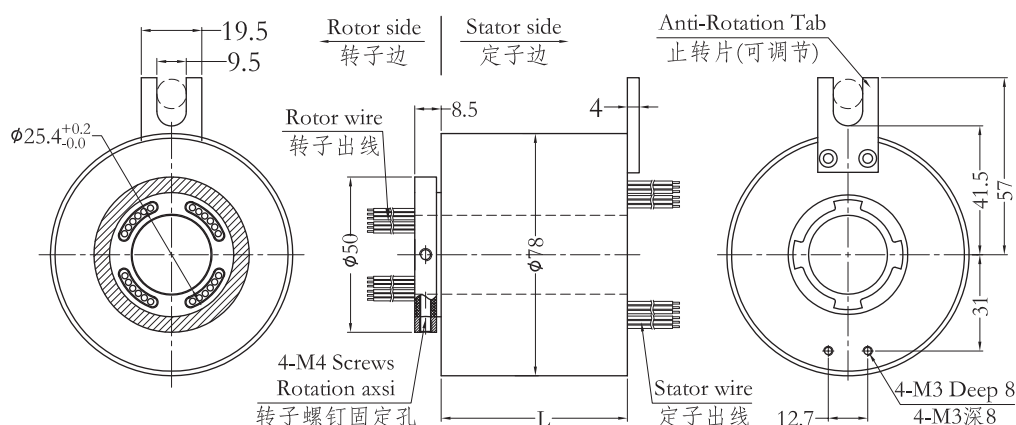
H2578 - Power circuits no. - Signal circuits no. - Erodect grade

H:through hole slip ring
2578:ID 25.4mm, OD 78mm

Example:
0610:6 circuits,10A per circuit
1220:2circuits,10A per circuit

Example:
C: standard level
D:Industrial level
H:High quality level

Example:
06S:6circuits signal (0~2A)
12S:12circuits signal (0~2A)



Standard Model List

H2578 series model list							
Part no.	Circuits		Length L(mm)	Part no.	Circuits		Length L(mm)
	10A	Signal or 0~5A			10A	Signal or 0~5A	
H2578-02S	0	2	32	H2578-1210-12S	12	12	120
H2578-0210	2	0	32	H2578-1810-06S	18	6	120
H2578-03S	0	3	36	H2578-2410	24	0	120
H2578-0310	3	0	36	H2578-30S	0	30	144
H2578-06S	0	6	48	H2578-0610-24S	6	24	144
H2578-0210-04S	2	4	48	H2578-1210-18S	12	18	144
H2578-0410-02S	4	2	48	H2578-1810-12S	18	12	144
H2578-0610	6	0	48	H2578-2410-06S	24	6	144
H2578-12S	0	12	72	H2578-3010	30	0	144
H2578-0210-10S	2	10	72	H2578-36S	0	36	168
H2578-0310-09S	3	9	72	H2578-0610-30S	6	30	168
H2578-0610-06S	6	6	72	H2578-1210-24S	12	24	168
H2578-0810-04S	8	4	72	H2578-3610	36	0	168
H2578-1010-02S	10	2	72	H2578-42S	0	42	192
H2578-1210	12	0	72	H2578-0610-36S	6	36	192
H2578-18S	0	18	96	H2578-1210-30S	12	30	192
H2578-0210-16S	2	16	96	H2578-48S	0	48	216
H2578-0410-14S	4	14	96	H2578-0610-42S	6	42	216
H2578-0610-12S	6	12	96	H2578-1010-38S	10	38	216
H2578-0810-10S	8	10	96	H2578-1210-36S	12	36	216
H2578-1010-08S	10	8	96	H2578-1810-30S	18	30	216
H2578-1210-06S	12	6	96	H2578-2410-24S	24	24	216
H2578-1410-04S	14	4	96	H2578-60S	0	60	264
H2578-1610-02S	16	2	96	H2578-0610-54S	6	54	264
H2578-24S	0	24	120	H2578-1010-50S	10	50	264
H2578-0410-20S	4	20	120	H2578-1210-48S	12	48	264
H2578-0610-18S	6	18	120	H2578-72S	0	72	312

*Remark:Circuits can be combined in parallel for bigger current, N circuits of 10A to get N*10A,such as 2 circuits of 10A in parallel for 20A use.10A circuits No. and signal circuits (5A) No. can be customized based on standard products, pls inquiry Senring for details.

Technical Specification

Mechanical		Electrical		
Spec	Data	Spec	Data	
Working life	pls refer to product grade table		Power	Signal
Rotating speed	pls refer to product grade table	Rated voltage	0~690VAC/VDC	0~440VAC/VDC
Working temp.	-30°C~80°C	Insulation resistance	≥1000mΩ/500VDC	≥1000mΩ/500VDC
Work humidity	0~85% RH	Lead wire spec	AWG17# Silver-plated teflon	AWG22# Silver-plated teflon
Contact material	pls refer to produce grade table	Lead wire length	standard 300mm(can be customized)	
Housing material	AL alloy	Dielectric Strength	800VAC@50Hz,60s	
Torque	0.1N.m (+0.03N.m/6circuits)	Electrical noise	<0.01Ω	
IP grade	IP51			

Product Grade Table

Grade code	Max rotating speed	Working life	Contact material
C:standard	400RPM	20millisons revolutions	precious metal
D:industrial	800RPM	60millisons revolutions	precious metal
H:high quality	1200RPM	150millisons revolutions	gold alloy

Color code of Lead Wire

ring#	1	2	3	4	5	6	7	8	9	10	11	12
color	BLK	BRN	RED	ORG	YEL	GRN	BLU	PUR	GRY	WHT	PINK	LGT BLU
ring#	13	14	15	16	17	18	19	20	21	22	23	24
color	WHT/BLK	WHT/BRN	WHT/RED	WHT/ORG	WHT/YEL	WHT/GRN	WHT/BLU	WHT/PUR	WHT/GRY	BLK/RED	BLK/BRN	Transparent

Remark:"1" : the first wire from rotor side , H2578-06S wire color sequence: BLK/BRN/RED/ORG/WHT/GRN , 24 color wires as one group , if more than 24wires, repeat as sequence , use number tube to tell group 1#, 2#....

H2586 Series



H2586 series standard precise slip ring, integrated structure design, with through hole 25.4mm , OD86mm , suitable for rotating application which requires a through hole <=25.4mm (remark: if need a hole <25.4mm, can add a inner bushing)

Part No. description

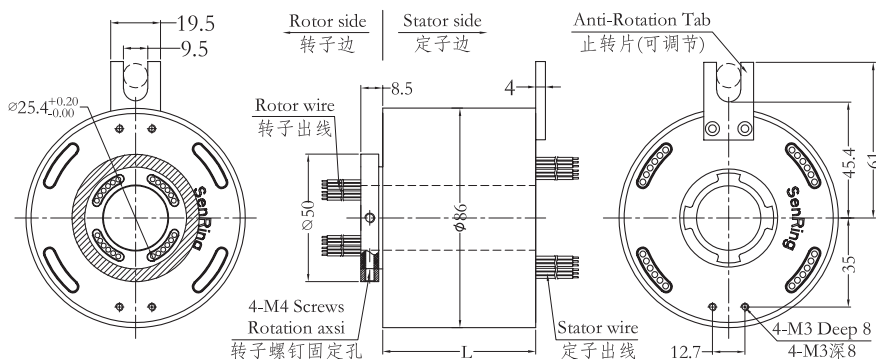
H2586 - Power circuits no. - Signal circuits no. - Eproduct grade

H:through hole slip ring
2586:ID 25.4mm, OD 86mm

Example:
0610:6 circuits,10A per circuit
1220:2circuits,10A per circuit

Example:
C: standard level
D:Industrial level
H:High quality level

Example:
06S:6circuits signal (0~2A)
12S:12circuits signal (0~2A)



Standard Model List

H2586 series model list							
Part no.	Circuits		Length L(mm)	Part no.	Circuits		Length L(mm)
	10A	Signal or 0~5A			10A	Signal or 0~5A	
H2586-02S	0	2	32	H2586-1210-12S	12	12	120
H2586-0210	2	0	32	H2586-1810-06S	18	6	120
H2586-03S	0	3	36	H2586-2410	24	0	120
H2586-0310	3	0	36	H2586-30S	0	30	144
H2586-06S	0	6	48	H2586-0610-24S	6	24	144
H2586-0210-04S	2	4	48	H2586-1210-18S	12	18	144
H2586-0410-02S	4	2	48	H2586-1810-12S	18	12	144
H2586-0610	6	0	48	H2586-2410-06S	24	6	144
H2586-12S	0	12	72	H2586-3010	30	0	144
H2586-0210-10S	2	10	72	H2586-36S	0	36	168
H2586-0310-09S	3	9	72	H2586-0610-30S	6	30	168
H2586-0610-06S	6	6	72	H2586-1210-24S	12	24	168
H2586-0810-04S	8	4	72	H2586-3610	36	0	168
H2586-1010-02S	10	2	72	H2586-42S	0	42	192
H2586-1210	12	0	72	H2586-0610-36S	6	36	192
H2586-18S	0	18	96	H2586-1210-30S	12	30	192
H2586-0210-16S	2	16	96	H2586-48S	0	48	216
H2586-0410-14S	4	14	96	H2586-0610-42S	6	42	216
H2586-0610-12S	6	12	96	H2586-1010-38S	10	38	216
H2586-0810-10S	8	10	96	H2586-1210-36S	12	36	216
H2586-1010-08S	10	8	96	H2586-1810-30S	18	30	216
H2586-1210-06S	12	6	96	H2586-2410-24S	24	24	216
H2586-1410-04S	14	4	96	H2586-60S	0	60	264
H2586-1610-02S	16	2	96	H2586-0610-54S	6	54	264
H2586-24S	0	24	120	H2586-1010-50S	10	50	264
H2586-0410-20S	4	20	120	H2586-1210-48S	12	48	264
H2586-0610-18S	6	18	120	H2586-72S	0	72	312

*Remark:Circuits can be combined in parallel for bigger current, N circuits of 10A to get N*10A,such as 2 circuits of 10A in parallel for 20A use.10A circuits No. and signal circuits (5A) No. can be customized based on standard products,pls inquiry Senring for details.

Technical Specification

Mechanical		Electrical		
Spec	Data	Spec	Data	
Working life	pls refer to product grade table		Power	Signal
Rotating speed	pls refer to product grade table	Rated voltage	0~690VAC/VDC	0~440VAC/VDC
Working temp.	-30°C~80°C	Insulation resistance	≥1000mΩ/500VDC	≥1000mΩ/500VDC
Work humidity	0~85% RH	Lead wire spec	AWG17# Silver-plated teflon	AWG22# Silver-plated teflon
Contact material	pls refer to produce grade table	Lead wire length	standard 300mm(can be customized)	
Housing material	AL alloy	Dielectric Strength	800VAC@50Hz,60s	
Torque	0.1N.m (+0.03N.m/6circuits)	Electrical noise	<0.01Ω	
IP grade	IP51			

Product Grade Table

Grade code	Max rotating speed	Working life	Contact material
C:standard	400RPM	20millisons revolutions	precious metal
D:industrial	800RPM	60millisons revolutions	precious metal
H:high quality	1200RPM	150millisons revolutions	gold alloy

Color code of Lead Wire

ring#	1	2	3	4	5	6	7	8	9	10	11	12
color	BLK	BRN	RED	ORG	YEL	GRN	BLU	PUR	GRY	WHT	PINK	LGT BLU
ring#	13	14	15	16	17	18	19	20	21	22	23	24
color	WHT/BLK	WHT/BRN	WHT/RED	WHT/ORG	WHT/YEL	WHT/GRN	WHT/BLU	WHT/PUR	WHT/GRY	BLK/RED	BLK/BRN	Transparent

Remark:"1" : the first wire from rotor side , H2586-06S wire color sequence: BLK/BRN/RED/ORG/WHT/GRN , 24 color wires as one group , if more than 24wires, repeat as sequence , use number tube to tell group 1#, 2#....

H2586F Series



H2586 series standard precise slip ring with flange, integrated structure design, with through hole 25.4mm , OD86mm , suitable for rotating application which requires a through hole $\leq 25.4\text{mm}$ (remark: if need a hole $< 25.4\text{mm}$, can add a inner bushing)

Part No. description

H2586 - **F** - Power circuits no. - Signal circuits no. - Product grade

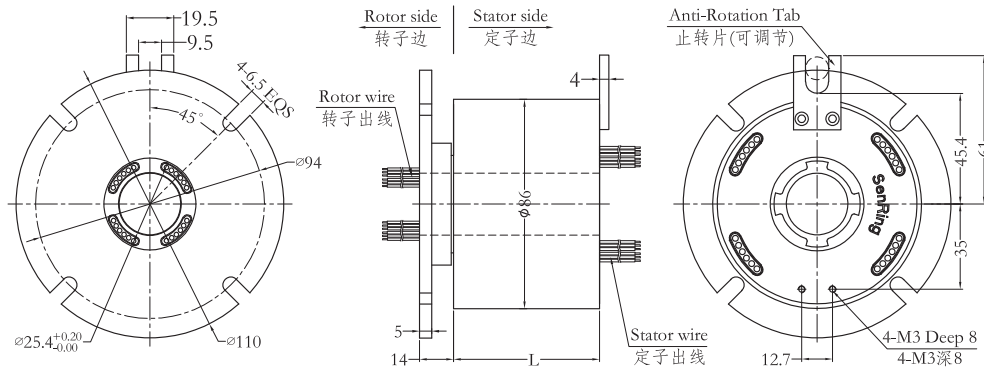
H:through hole slip ring
2586:ID 25mm, OD 86mm

F:with rotor flange(optional)

Example:
0610:6 circuits,10A per circuit
1220:2circuits,10A per circuit

Example:
C: standard level
D:Industrial level
H:High quality level

Example:
06S:6circuits signal (0~2A)
12S:12circuits signal (0~2A)



Standard Model List

H2586F series model list							
Part no.	Circuits		Length L(mm)	Part no.	Circuits		Length L(mm)
	10A	Signal or 0~5A			10A	Signal or 0~5A	
H2586F-02S	0	2	32	H2586F-1210-12S	12	12	120
H2586F-0210	2	0	32	H2586F-1810-06S	18	6	120
H2586F-03S	0	3	36	H2586F-2410	24	0	120
H2586F-0310	3	0	36	H2586F-30S	0	30	144
H2586F-06S	0	6	48	H2586F-0610-24S	6	24	144
H2586F-0210-04S	2	4	48	H2586F-1210-18S	12	18	144
H2586F-0410-02S	4	2	48	H2586F-1810-12S	18	12	144
H2586F-0610	6	0	48	H2586F-2410-06S	24	6	144
H2586F-12S	0	12	72	H2586F-3010	30	0	144
H2586F-0210-10S	2	10	72	H2586F-36S	0	36	168
H2586F-0310-09S	3	9	72	H2586F-0610-30S	6	30	168
H2586F-0610-06S	6	6	72	H2586F-1210-24S	12	24	168
H2586F-0810-04S	8	4	72	H2586F-3610	36	0	168
H2586F-1010-02S	10	2	72	H2586F-42S	0	42	192
H2586F-1210	12	0	72	H2586F-0610-36S	6	36	192
H2586F-18S	0	18	96	H2586F-1210-30S	12	30	192
H2586F-0210-16S	2	16	96	H2586F-48S	0	48	216
H2586F-0410-14S	4	14	96	H2586F-0610-42S	6	42	216
H2586F-0610-12S	6	12	96	H2586F-1010-38S	10	38	216
H2586F-0810-10S	8	10	96	H2586F-1210-36S	12	36	216
H2586F-1010-08S	10	8	96	H2586F-1810-30S	18	30	216
H2586F-1210-06S	12	6	96	H2586F-2410-24S	24	24	216
H2586F-1410-04S	14	4	96	H2586F-60S	0	60	264
H2586F-1610-02S	16	2	96	H2586F-0610-54S	6	54	264
H2586F-24S	0	24	120	H2586F-1010-50S	10	50	264
H2586F-0410-20S	4	20	120	H2586F-1210-48S	12	48	264
H2586F-0610-18S	6	18	120	H2586F-72S	0	72	312

*Remark:Circuits can be combined in parallel for bigger current, N circuits of 10A to get N*10A,such as 2 circuits of 10A in parallel for 20A use.10A circuits No. and signal circuits (5A) No. can be customized based on standard products,pls inquiry Senring for details.

Technical Specification

Mechanical		Electrical		
Spec	Data	Spec	Data	
Working life	pls refer to product grade table		Power	Signal
Rotating speed	pls refer to product grade table	Rated voltage	0~690VAC/VDC	0~440VAC/VDC
Working temp.	-30°C~80°C	Insulation resistance	≥ 1000mΩ /500VDC	≥ 1000mΩ /500VDC
Work humidity	0~85% RH	Lead wire spec	AWG17# Silver-plated teflon	AWG22# Silver-plated teflon
Contact material	pls refer to produce grade table	Lead wire length	standard 300mm(can be customized)	
Housing material	AL alloy	Dielectric Strength	800VAC@50Hz,60s	
Torque	0.1N.m (+0.03N.m/6circuits)	Electrical noise	<0.01Ω	
IP grade	IP51			

Product Grade Table

Grade code	Max rotating speed	Working life	Contact material
C:standard	400RPM	20millisons revolutions	precious metal
D:industrial	800RPM	60millisons revolutions	precious metal
H:high quality	1200RPM	150millisons revolutions	gold alloy

Color code of Lead Wire

ring#	1	2	3	4	5	6	7	8	9	10	11	12
color	BLK	BRN	RED	ORG	YEL	GRN	BLU	PUR	GRY	WHT	PINK	LGT BLU
ring#	13	14	15	16	17	18	19	20	21	22	23	24
color	WHT/BLK	WHT/BRN	WHT/RED	WHT/ORG	WHT/YEL	WHT/GRN	WHT/BLU	WHT/PUR	WHT/GRY	BLK/RED	BLK/BRN	Transparent

Remark:"1" : the first wire from rotor side , H2586F-06S wire color sequence: BLK/BRN/RED/ORG/WHT/GRN , 24 color wires as one group , if more than 24wires, repeat as sequence , use number tube to tell group 1#, 2#....

H25119 Series



H25119 series standard precise slip ring, integrated structure design, with through hole 25.4mm , OD119mm , suitable for rotating application which requires a through hole $\leq 25.4\text{mm}$ (remark: if need a hole $< 25.4\text{mm}$, can add a inner bushing)

Part No. description

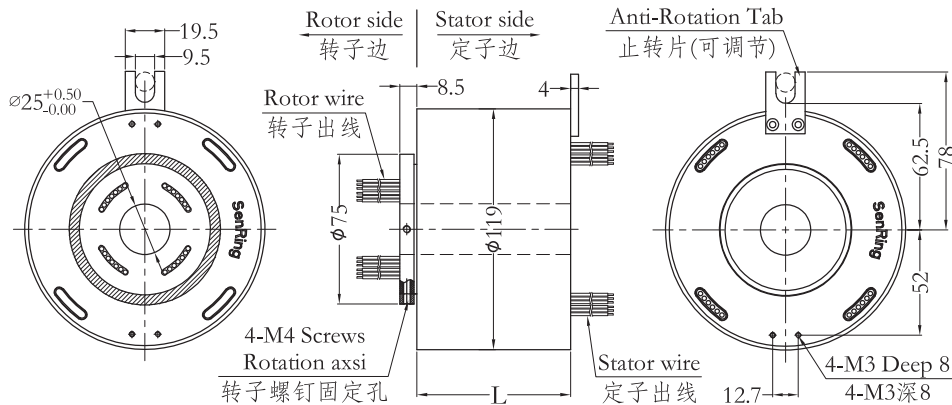
H25119 - Power circuits no. - Signal circuits no. - Erodect grade

H:through hole slip ring
25119:ID 25.4mm, OD 119mm

Example:
0610:6 circuits,10A per circuit
1220:2circuits,10A per circuit

Example:
C : standard level
D:Industrial level
H:High quality level

Example:
06S:6circuits signal (0~2A)
12S:12circuits signal (0~2A)



Standard Model List

H25119 series model list							
Part no.	Circuits		Length L(mm)	Part no.	Circuits		Length L(mm)
	10A	Signal or 0~5A			10A	Signal or 0~5A	
H25119-02S	0	2	36	H25119-48S	0	48	220
H25119-0210	2	0	36	H25119-0610-42S	6	42	220
H25119-03S	0	3	40	H25119-1210-36S	12	36	220
H25119-0310	3	0	40	H25119-1810-30S	18	30	220
H25119-06S	0	6	52	H25119-2410-24S	24	24	220
H25119-0210-04S	2	4	52	H25119-4810	48	0	220
H25119-0410-02S	4	2	52	H25119-60S	0	60	268
H25119-0610	6	0	52	H25119-0610-54S	6	54	268
H25119-12S	0	12	76	H25119-0910-51S	9	51	268
H25119-0210-10S	2	10	76	H25119-1210-48S	12	48	268
H25119-0310-09S	3	9	76	H25119-2410-36S	24	36	268
H25119-0610-06S	6	6	76	H25119-72S	0	72	316
H25119-0810-04S	8	4	76	H25119-1210-60S	12	60	316
H25119-1010-02S	10	2	76	H25119-2410-48S	24	48	316
H25119-1210	12	0	76	H25119-3610-36S	36	36	316
H25119-18S	0	18	100	H25119-84S	0	84	364
H25119-0210-16S	2	16	100	H25119-1210-72S	12	72	364
H25119-0410-14S	4	14	100	H25119-2410-60S	24	60	364
H25119-0610-12S	6	12	100	H25119-3610-48S	36	48	364
H25119-0810-10S	8	10	100	H25119-96S	0	96	412
H25119-1010-08S	10	8	100	H25119-1210-84S	12	84	412
H25119-1210-06S	12	6	100	H25119-2410-72S	24	72	412
H25119-1410-04S	14	4	100	H25119-3610-60S	36	60	412
H25119-1610-02S	16	2	100	H25119-4210-54S	42	54	412
H25119-24S	0	24	124	H25119-108S	0	108	460
H25119-0410-20S	4	20	124	H25119-1210-96S	12	96	460
H25119-0610-18S	6	18	124	H25119-2410-84S	24	84	460

Part no.	10A	Signal or 0~5A	Length L(mm)	Part no.	10A	Signal or 0~5A	Length L(mm)
H25119-1210-12S	12	12	124	H25119-3610-72S	36	72	460
H25119-1810-06S	18	6	124	H25119-120S	0	120	508
H25119-2410	24	0	124	H25119-1210-108S	12	108	508
H25119-30S	0	30	148	H25119-2410-96S	24	96	508
H25119-0610-24S	6	24	148	H25119-3610-84S	36	84	508
H25119-1210-18S	12	18	148	H25119-4810-72S	48	72	508
H25119-1810-12S	18	12	148	H25119-132S	0	132	556
H25119-2410-06S	24	6	148	H25119-1210-120S	12	120	556
H25119-3010	30	0	148	H25119-2410-108S	24	108	556
H25119-36S	0	36	172	H25119-3610-96S	36	96	556
H25119-0610-30S	6	30	172	H25119-4810-84S	48	84	556
H25119-1210-524	12	24	172	H25119-144S	0	144	604
H25119-3610	36	0	172	H25119-1210-132S	12	132	604
H25119-42S	0	42	196	H25119-2410-120S	24	120	604
H25119-0610-36S	6	36	196	H25119-3610-108S	36	108	604
H25119-1210-30S	12	30	196	H25119-4810-96S	48	96	604
H25119-4210	42	0	196	H25119-6010-84S	60	84	604

*Remark: Circuits can be combined in parallel for bigger current, N circuits of 10A to get N*10A, such as 2 circuits of 10A in parallel for 20A use. 10A circuits No. and signal circuits (5A) No. can be customized based on standard products, pls inquiry Senring for details.

Technical Specification

Mechanical		Electrical		
Spec	Data	Spec	Data	
Working life	pls refer to product grade table		Power	Signal
Rotating speed	pls refer to product grade table	Rated voltage	0~690VAC/VDC	0~440VAC/VDC
Working temp.	-30°C~80°C	Insulation resistance	≥1000mΩ/500VDC	≥1000mΩ/500VDC
Work humidity	0~85% RH	Lead wire spec	AWG17# Silver-plated teflon	AWG22# Silver-plated teflon
Contact material	pls refer to produce grade table	Lead wire length	standard 300mm(can be customized)	
Housing material	AL alloy	Dielectric Strength	800VAC@50Hz,60s	
Torque	0.1N.m (+0.03N.m/6circuits)	Electrical noise	<0.01Ω	
IP grade	IP51			

Product Grade Table

Grade code	Max rotating speed	Working life	Contact material
C:standard	400RPM	20millisons revolutions	precious metal
D:industrial	800RPM	60millisons revolutions	precious metal
H:high quality	1200RPM	150millisons revolutions	gold alloy

Color code of Lead Wire

ring#	1	2	3	4	5	6	7	8	9	10	11	12
color	BLK	BRN	RED	ORG	YEL	GRN	BLU	PUR	GRY	WHT	PINK	LGT BLU
ring#	13	14	15	16	17	18	19	20	21	22	23	24
color	WHT/BLK	WHT/BRN	WHT/RED	WHT/ORG	WHT/YEL	WHT/GRN	WHT/BLU	WHT/PUR	WHT/GRY	BLK/RED	BLK/BRN	Transparent

Remark: "1" : the first wire from rotor side , H25119-06S wire color sequence: BLK/BRN/RED/ORG/WHT/GRN , 24 color wires as one group , if more than 24wires, repeat as sequence , use number tube to tell group 1#, 2#....

H3099 Series



H3099 series standard precise slip ring, integrated structure design, with through hole 30mm , OD99mm , suitable for rotating application which requires a through hole <=30mm (remark: if need a hole <30mm, can add a inner bushing)

Part No. description

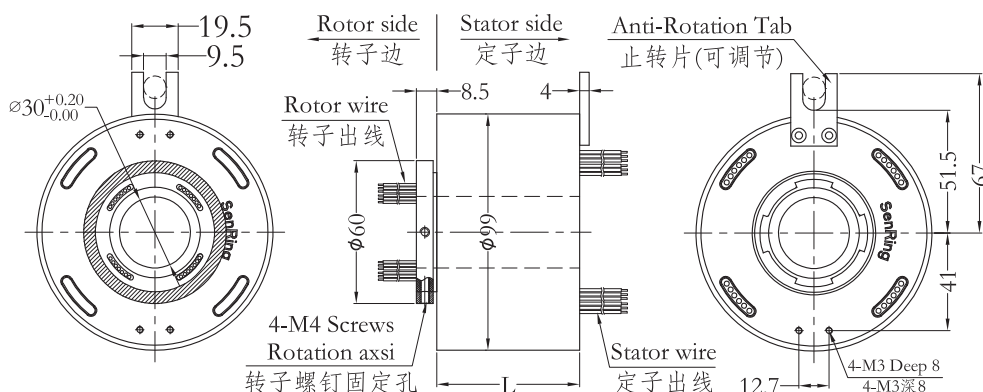
H3099 - Power circuits no. - Signal circuits no. - Eproduct grade

H:through hole slip ring
3099:ID 30mm, OD 99mm

Example:
0610:6 circuits,10A per circuit
1220:2circuits,10A per circuit

Example:
C: standard level
D:Industrial level
H:High quality level

Example:
06S:6circuits signal (0~2A)
12S:12circuits signal (0~2A)



Standard Model List

H3099 series model list							
Part no.	Circuits		Length L(mm)	Part no.	Circuits		Length L(mm)
	10A	Signal or 0~5A			10A	Signal or 0~5A	
H3099-02S	0	2	32	H3099-1210-12S	12	12	120
H3099-0210	2	0	32	H3099-1810-06S	18	6	120
H3099-03S	0	3	36	H3099-2410	24	0	120
H3099-0310	3	0	36	H3099-30S	0	30	144
H3099-06S	0	6	48	H3099-0610-24S	6	24	144
H3099-0210-04S	2	4	48	H3099-1210-18S	12	18	144
H3099-0410-02S	4	2	48	H3099-1810-12S	18	12	144
H3099-0610	6	0	48	H3099-2410-06S	24	6	144
H3099-12S	0	12	72	H3099-3010	30	0	144
H3099-0210-10S	2	10	72	H3099-36S	0	36	168
H3099-0310-09S	3	9	72	H3099-0610-30S	6	30	168
H3099-0610-06S	6	6	72	H3099-1210-24S	12	24	168
H3099-0810-04S	8	4	72	H3099-3610	36	0	168
H3099-1010-02S	10	2	72	H3099-42S	0	42	192
H3099-1210	12	0	72	H3099-0610-36S	6	36	192
H3099-18S	0	18	96	H3099-1210-30S	12	30	192
H3099-0210-16S	2	16	96	H3099-48S	0	48	216
H3099-0410-14S	4	14	96	H3099-0610-42S	6	42	216
H3099-0610-12S	6	12	96	H3099-1010-38S	10	38	216
H3099-0810-10S	8	10	96	H3099-1210-36S	12	36	216
H3099-1010-08S	10	8	96	H3099-1810-30S	18	30	216
H3099-1210-06S	12	6	96	H3099-2410-24S	24	24	216
H3099-1410-04S	14	4	96	H3099-60S	0	60	264
H3099-1610-02S	16	2	96	H3099-0610-54S	6	54	264
H3099-24S	0	24	120	H3099-1010-50S	10	50	264
H3099-0410-20S	4	20	120	H3099-1210-48S	12	48	264
H3099-0610-18S	6	18	120	H3099-72S	0	72	312

*Remark:Circuits can be combined in parallel for bigger current, N circuits of 10A to get N*10A,such as 2 circuits of 10A in parallel for 20A use. 0A circuits No. and signal circuits (5A) No. can be customized based on standard products,pls inquiry Senring for details.

Technical Specification

Mechanical		Electrical		
Spec	Data	Spec	Data	
Working life	pls refer to product grade table		Power	Signal
Rotating speed	pls refer to product grade table	Rated voltage	0~690VAC/VDC	0~440VAC/VDC
Working temp.	-30°C~80°C	Insulation resistance	≥1000mΩ/500VDC	≥1000mΩ/500VDC
Work humidity	0~85% RH	Lead wire spec	AWG17# Silver-plated teflon	AWG22# Silver-plated teflon
Contact material	pls refer to produce grade table	Lead wire length	standard 300mm(can be customized)	
Housing material	AL alloy	Dielectric Strength	800VAC@50Hz,60s	
Torque	0.1N.m (+0.03N.m/6circuits)	Electrical noise	<0.01Ω	
IP grade	IP51			

Product Grade Table

Grade code	Max rotating speed	Working life	Contact material
C:standard	400RPM	20millisons revolutions	precious metal
D:industrial	800RPM	60millisons revolutions	precious metal
H:high quality	1200RPM	150millisons revolutions	gold alloy

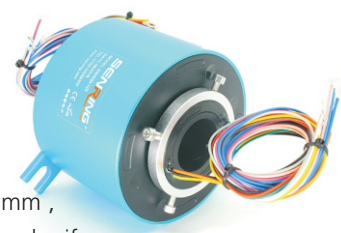
Color code of Lead Wire

ring#	1	2	3	4	5	6	7	8	9	10	11	12
color	BLK	BRN	RED	ORG	YEL	GRN	BLU	PUR	GRY	WHT	PINK	LGT BLU
ring#	13	14	15	16	17	18	19	20	21	22	23	24
color	WHT/BLK	WHT/BRN	WHT/RED	WHT/ORG	WHT/YEL	WHT/GRN	WHT/BLU	WHT/PUR	WHT/GRY	BLK/RED	BLK/BRN	Transparent

Remark:"1" : the first wire from rotor side , H3099-06S wire color sequence: BLK/BRN/RED/ORG/WHT/GRN , 24 color wires as one group , if more than 24wires, repeat as sequence , use number tube to tell group 1#, 2#....

H3899 Series

H3899 series standard precise slip ring, integrated structure design, with through hole 38.1mm , OD99mm , suitable for rotating application which requires a through hole $\leq 38.1\text{mm}$ (remark: if need a hole $< 38.1\text{mm}$, can add a inner bushing)



Part No. description

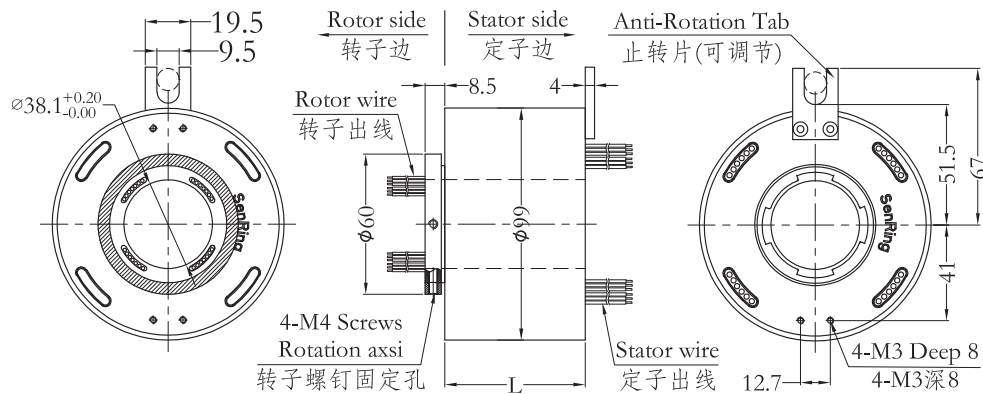
H3899 - Power circuits no. - Signal circuits no. - Erodect grade

H:through hole slip ring
3899:ID 38mm, OD 99mm

Example:
0610:6 circuits,10A per circuit
1220:2circuits,10A per circuit

Example:
C: standard level
D:Industrial level
H:High quality level

Example:
06S:6circuits signal (0~2A)
12S:12circuits signal (0~2A)



Standard Model List

H3899 series model list							
Part no.	Circuit		Length L(mm)	Part no.	Circuit		Length L(mm)
	10A	Signal or 0~5A			10A	Signal or 0~5A	
H3899-02S	0	2	32	H3899-1210-12S	12	12	120
H3899-0210	2	0	32	H3899-1810-06S	18	6	120
H3899-03S	0	3	36	H3899-2410	24	0	120
H3899-0310	3	0	36	H3899-30S	0	30	144
H3899-06S	0	6	48	H3899-0610-24S	6	24	144
H3899-0210-04S	2	4	48	H3899-1210-18S	12	18	144
H3899-0410-02S	4	2	48	H3899-1810-12S	18	12	144
H3899-0610	6	0	48	H3899-2410-06S	24	6	144
H3899-12S	0	12	72	H3899-3010	30	0	144
H3899-0210-10S	2	10	72	H3899-36S	0	36	168
H3899-0310-09S	3	9	72	H3899-0610-30S	6	30	168
H3899-0610-06S	6	6	72	H3899-1210-24S	12	24	168
H3899-0810-04S	8	4	72	H3899-3610	36	0	168
H3899-1010-02S	10	2	72	H3899-42S	0	42	192
H3899-1210	12	0	72	H3899-0610-36S	6	36	192
H3899-18S	0	18	96	H3899-1210-30S	12	30	192
H3899-0210-16S	2	16	96	H3899-48S	0	48	216
H3899-0410-14S	4	14	96	H3899-0610-42S	6	42	216
H3899-0610-12S	6	12	96	H3899-1010-38S	10	38	216
H3899-0810-10S	8	10	96	H3899-1210-36S	12	36	216
H3899-1010-08S	10	8	96	H3899-1810-30S	18	30	216
H3899-1210-06S	12	6	96	H3899-2410-24S	24	24	216
H3899-1410-04S	14	4	96	H3899-60S	0	60	264
H3899-1610-02S	16	2	96	H3899-0610-54S	6	54	264
H3899-24S	0	24	120	H3899-1010-50S	10	50	264
H3899-0410-20S	4	20	120	H3899-1210-48S	12	48	264
H3899-0610-18S	6	18	120	H3899-72S	0	72	312

*Remark:Circuits can be combined in parallel for bigger current, N circuits of 10A to get N*10A,such as 2 circuits of 10A in parallel for 20A use.10A circuits No. and signal circuits (5A) No. can be customized based on standard products,pls inquiry Senring for details.

Technical Specification

Spec	Mechanical		Spec	Electrical	
	Data			Data	
Working life	pls refer to product grade table			Power	Signal
Rotating speed	pls refer to product grade table		Rated voltage	0~690VAC/VDC	0~440VAC/VDC
Working temp.	-30°C~80°C		Insulation resistance	≥1000mΩ/500VDC	≥1000mΩ/500VDC
Work humidity	0~85% RH		Lead wire spec	AWG17# Silver-plated teflon	AWG22# Silver-plated teflon
Contact material	pls refer to produce grade table		Lead wire length	standard 300mm(can be customized)	
Housing material	AL alloy		Dielectric Strength	800VAC@50Hz,60s	
Torque	0.1N.m (+0.03N.m/6circuits)		Electrical noise	<0.01Ω	
IP grade	IP51				

Product Grade Table

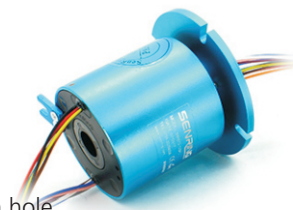
Grade code	Max rotating speed	Working life	Contact material
C:standard	400RPM	20millisons revolutions	precious metal
D:industrial	800RPM	60millisons revolutions	precious metal
H:high quality	1200RPM	150millisons revolutions	gold alloy

Color code of Lead Wire

ring#	1	2	3	4	5	6	7	8	9	10	11	12
color	BLK	BRN	RED	ORG	YEL	GRN	BLU	PUR	GRY	WHT	PINK	LGT BLU
ring#	13	14	15	16	17	18	19	20	21	22	23	24
color	WHT/BLK	WHT/BRN	WHT/RED	WHT/ORG	WHT/YEL	WHT/GRN	WHT/BLU	WHT/PUR	WHT/GRY	BLK/RED	BLK/BRN	Transparent

Remark:"1" : the first wire from rotor side , H3899-06S wire color sequence: BLK/BRN/RED/ORG/WHT/GRN , 24 color wires as one group , if more than 24wires, repeat as sequence , use number tube to tell group 1#, 2#....

H3899F Series



H3899 series standard precise slip ring with flange, integrated structure design, with through hole 38.1mm , OD99mm , suitable for rotating application which requires a through hole $\leq 38.1\text{mm}$ (remark: if need a hole $< 38.1\text{mm}$, can add a inner bushing)

Part No. description

H3899 - F - Power circuits no. - Signal circuits no. - Eproduct grade

H:through hole slip ring
3899:ID 38mm, OD 99mm

F:with rotor flange(optional)

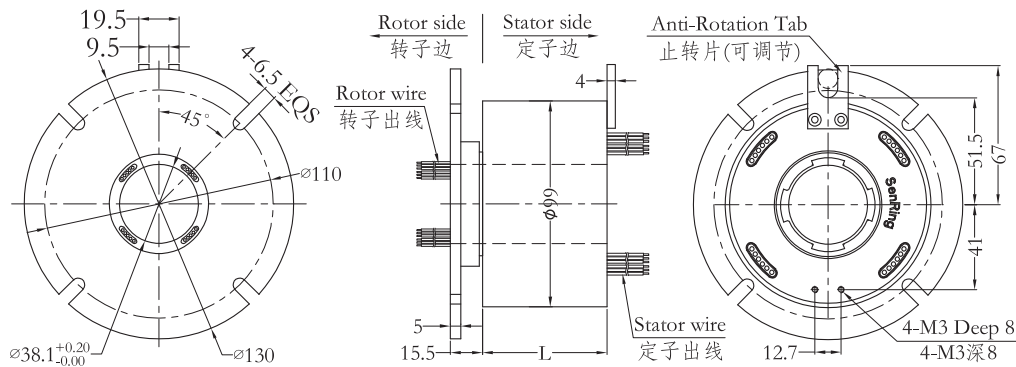
Example:

0610:6 circuits,10A per circuit
1220:2circuits,10A per circuit

Example:
C: standard level
D:Industrial level
H:High quality level

Example:

06S:6circuits signal (0~2A)
12S:12circuits signal (0~2A)



Standard Model List

H3899F series model list							
Part no.	Circuit		Length L(mm)	Part no.	Circuit		Length L(mm)
	10A	Signal or 0~5A			10A	Signal or 0~5A	
H3899F-02S	0	2	32	H3899F-1210-12S	12	12	120
H3899F-0210	2	0	32	H3899F-1810-06S	18	6	120
H3899F-03S	0	3	36	H3899F-2410	24	0	120
H3899F-0310	3	0	36	H3899F-30S	0	30	144
H3899F-06S	0	6	48	H3899F-0610-24S	6	24	144
H3899F-0210-04S	2	4	48	H3899F-1210-18S	12	18	144
H3899F-0410-02S	4	2	48	H3899F-1810-12S	18	12	144
H3899F-0610	6	0	48	H3899F-2410-06S	24	6	144
H3899F-12S	0	12	72	H3899F-3010	30	0	144
H3899F-0210-10S	2	10	72	H3899F-36S	0	36	168
H3899F-0310-09S	3	9	72	H3899F-0610-30S	6	30	168
H3899F-0610-06S	6	6	72	H3899F-1210-24S	12	24	168
H3899F-0810-04S	8	4	72	H3899F-3610	36	0	168
H3899F-1010-02S	10	2	72	H3899F-42S	0	42	192
H3899F-1210	12	0	72	H3899F-0610-36S	6	36	192
H3899F-18S	0	18	96	H3899F-1210-30S	12	30	192
H3899F-0210-16S	2	16	96	H3899F-48S	0	48	216
H3899F-0410-14S	4	14	96	H3899F-0610-42S	6	42	216
H3899F-0610-12S	6	12	96	H3899F-1010-38S	10	38	216
H3899F-0810-10S	8	10	96	H3899F-1210-36S	12	36	216
H3899F-1010-08S	10	8	96	H3899F-1810-30S	18	30	216
H3899F-1210-06S	12	6	96	H3899F-2410-24S	24	24	216
H3899F-1410-04S	14	4	96	H3899F-60S	0	60	264
H3899F-1610-02S	16	2	96	H3899F-0610-54S	6	54	264
H3899F-24S	0	24	120	H3899F-1010-50S	10	50	264
H3899F-0410-20S	4	20	120	H3899F-1210-48S	12	48	264
H3899F-0610-18S	6	18	120	H3899F-72S	0	72	312

*Remark:Circuits can be combined in parallel for bigger current, N circuits of 10A to get N*10A,such as 2 circuits of 10A in parallel for 20A use.10A circuits No. and signal circuits (5A) No. can be customized based on standard products,pls inquiry Senring for details.

Technical Specification

Mechanical		Electrical		
Spec	Data	Spec	Data	
Working life	pls refer to product grade table		Power	Signal
Rotating speed	pls refer to product grade table	Rated voltage	0~690VAC/VDC	0~440VAC/VDC
Working temp.	-30°C~80°C	Insulation resistance	≥1000mΩ/500VDC	≥1000mΩ/500VDC
Work humidity	0~85% RH	Lead wire spec	AWG17# Silver-plated teflon	AWG22# Silver-plated teflon
Contact material	pls refer to produce grade table	Lead wire length	standard 300mm(can be customized)	
Housing material	AL alloy	Dielectric Strength	800VAC@50Hz,60s	
Torque	0.1N.m (+0.03N.m/6circuits)	Electrical noise	<0.01Ω	
IP grade	IP51			

Product Grade Table

Grade code	Max rotating speed	Working life	Contact material
C:standard	400RPM	20millisons revolutions	precious metal
D:industrial	800RPM	60millisons revolutions	precious metal
H:high quality	1200RPM	150millisons revolutions	gold alloy

Color code of Lead Wire

ring#	1	2	3	4	5	6	7	8	9	10	11	12
color	BLK	BRN	RED	ORG	YEL	GRN	BLU	PUR	GRY	WHT	PINK	LGT BLU
ring#	13	14	15	16	17	18	19	20	21	22	23	24
color	WHT/BLK	WHT/BRN	WHT/RED	WHT/ORG	WHT/YEL	WHT/GRN	WHT/BLU	WHT/PUR	WHT/GRY	BLK/RED	BLK/BRN	Transparent

Remark:"1" : the first wire from rotor side , H3899F-06S wire color sequence: BLK/BRN/RED/ORG/WHT/GRN , 24 color wires as one group , if more than 24wires, repeat as sequence , use number tube to tell group 1#, 2#....

H38119 Series



H3899 series standard precise slip ring , integrated structure design, with through hole 38.1mm , OD119mm , suitable for rotating application which requires a through hole ≤ 38.1 mm (remark: if need a hole < 38.1 mm, can add a inner bushing)

Part No. description

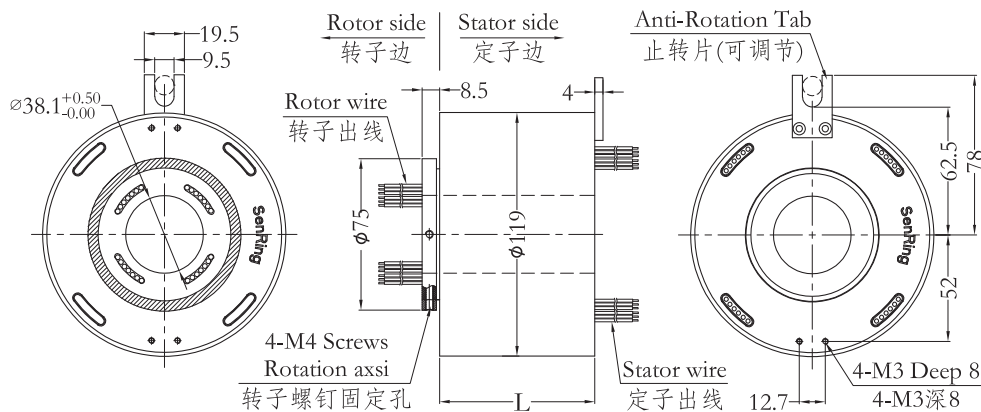
H38119 - Power circuits no. - Signal circuits no. - Erodect grade

H:through hole slip ring
38119:ID 38mm, OD 119mm

Example:
0610:6 circuits,10A per circuit
1220:2circuits,10A per circuit

Example:
C: standard level
D:Industrial level
H:High quality level

Example:
06S:6circuits signal (0~2A)
12S:12circuits signal (0~2A)



Standard Model List

H38119 series model list							
Part no.	Circuit		Length L(mm)	Part no.	Circuit		Length L(mm)
	10A	Signal or 5A			10A	Signal or 5A	
H38119-02S	0	2	36	H38119-36S	0	36	172
H38119-0210	2	0	36	H38119-0610-30S	6	30	172
H38119-03S	0	3	40	H38119-1210-524	12	24	172
H38119-0310	3	0	40	H38119-3610	36	0	172
H38119-06S	0	6	52	H38119-42S	0	42	196
H38119-0210-04S	2	4	52	H38119-0610-36S	6	36	196
H38119-0410-02S	4	2	52	H38119-1210-30S	12	30	196
H38119-0610	6	0	52	H38119-4210	42	0	196
H38119-12S	0	12	76	H38119-48S	0	48	220
H38119-0210-10S	2	10	76	H38119-0610-42S	6	42	220
H38119-0310-09S	3	9	76	H38119-1210-36S	12	36	220
H38119-0610-06S	6	6	76	H38119-1810-30S	18	30	220
H38119-0810-04S	8	4	76	H38119-2410-24S	24	24	220
H38119-1010-02S	10	2	76	H38119-4810	48	0	220
H38119-1210	12	0	76	H38119-60S	0	60	268
H38119-18S	0	18	100	H38119-0610-54S	6	54	268
H38119-0210-16S	2	16	100	H38119-0910-51S	9	51	268
H38119-0410-14S	4	14	100	H38119-1210-48S	12	48	268
H38119-0610-12S	6	12	100	H38119-2410-36S	24	36	268
H38119-0810-10S	8	10	100	H38119-72S	0	72	316
H38119-1010-08S	10	8	100	H38119-1210-60S	12	60	316
H38119-1210-06S	12	6	100	H38119-2410-48S	24	48	316
H38119-1410-04S	14	4	100	H38119-3610-36S	36	36	316
H38119-1610-02S	16	2	100	H38119-84S	0	84	364
H38119-24S	0	24	124	H38119-1210-72S	12	72	364

Part no.	10A	Signal or 5A	Length L(mm)	Part no.	10A	Signal or 5A	Length L(mm)
H38119-0410-20S	4	20	124	H38119-2410-60S	24	60	364
H38119-0610-18S	6	18	124	H38119-3610-48S	36	48	364
H38119-1210-12S	12	12	124	H38119-96S	0	96	412
H38119-1810-06S	18	6	124	H38119-1210-84S	12	84	412
H38119-2410	24	0	124	H38119-2410-72S	24	72	412
H38119-30S	0	30	148	H38119-3610-60S	36	60	412
H38119-0610-24S	6	24	148	H38119-4210-54S	42	54	412
H38119-1210-18S	12	18	148	H38119-108S	0	108	460
H38119-1810-12S	18	12	148	H38119-1210-96S	12	96	460
H38119-2410-06S	24	6	148	H38119-2410-84S	24	84	460
H38119-3010	30	0	148	H38119-3610-72S	36	72	460

*Remark:Circuits can be combined in parallel for bigger current, N circuits of 10A to get N*10A,such as 2 circuits of 10A in parallel for 20A use. 10A circuits No. and signal circuits (5A) No. can be customized based on standard products,pls inquiry Senring for details.

Technical Specification

Mechanical		Electrical		
Spec	Data	Spec	Data	
Working life	pls refer to product grade table		Power	Signal
Rotating speed	pls refer to product grade table	Rated voltage	0~690VAC/VDC	0~440VAC/VDC
Working temp.	-30°C~80°C	Insulation resistance	≥1000mΩ/500VDC	≥1000mΩ/500VDC
Work humidity	0~85% RH	Lead wire spec	AWG17# Silver-plated teflon	AWG22# Silver-plated teflon
Contact material	pls refer to produce grade table	Lead wire length	standard 300mm(can be customized)	
Housing material	AL alloy	Dielectric Strength	800VAC@50Hz,60s	
Torque	0.1N.m (+0.03N.m/6circuits)	Electrical noise	<0.01Ω	
IP grade	IP51			

Product Grade Table

Grade code	Max rotating speed	Working life	Contact material
C:standard	400RPM	20millisons revolutions	precious metal
D:industrial	800RPM	60millisons revolutions	precious metal
H:high quality	1200RPM	150millisons revolutions	gold alloy

Color code of Lead Wire

ring#	1	2	3	4	5	6	7	8	9	10	11	12
color	BLK	BRN	RED	ORG	YEL	GRN	BLU	PUR	GRY	WHT	PINK	LGT BLU
ring#	13	14	15	16	17	18	19	20	21	22	23	24
color	WHT/BLK	WHT/BRN	WHT/RED	WHT/ORG	WHT/YEL	WHT/GRN	WHT/BLU	WHT/PUR	WHT/GRY	BLK/RED	BLK/BRN	Transparent

Remark:"1" : the first wire from rotor side , H38119-06S wire color sequence: BLK/BRN/RED/ORG/WHT/GRN , 24 color wires as one group , if more than 24wires, repeat as sequence , use number tube to tell group 1#, 2#....

H4086 Series



H4086 series standard precise slip ring , integrated structure design, with through hole 40mm , OD86mm , suitable for rotating application which requires a through hole $\leq 40\text{mm}$ (remark: if need a hole $< 40\text{mm}$, can add a inner bushing)

Part No. description

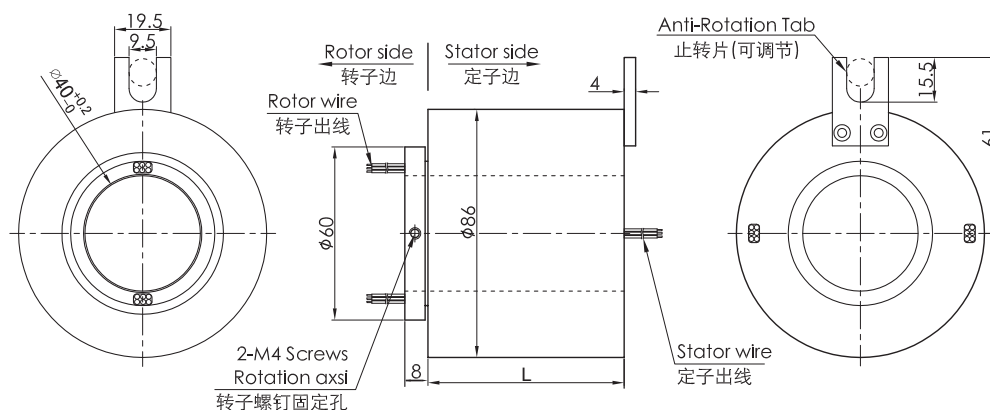
H4086 - Power circuits no. - Signal circuits no. - Eproduct grade

H:through hole slip ring
4086:ID 40mm, OD 86mm

Example:
0610:6 circuits,10A per circuit
1220:2circuits,10A per circuit

Example:
C: standard level
D:Industrial level
H:High quality level

Example:
06S:6circuits signal (0~2A)
12S:12circuits signal (0~2A)



Standard Model List

H4099 series model list							
Part no.	Circuit		Length L(mm)	Part no.	Circuit		Length L(mm)
	10A	Signal or 5A			10A	Signal or 5A	
H4086-02S	0	2	32	H4086-1010-08S	10	8	96
H4086-0210	2	0	32	H4086-1210-06S	12	6	96
H4086-03S	0	3	36	H4086-1410-04S	14	4	96
H4086-0310	3	0	36	H4086-1610-02S	16	2	96
H4086-06S	0	6	48	H4086-24S	0	24	120
H4086-0210-04S	2	4	48	H4086-0410-20S	4	20	120
H4086-0410-02S	4	2	48	H4086-0610-18S	6	18	120
H4086-0610	6	0	48	H4086-1210-12S	12	12	120
H4086-12S	0	12	72	H4086-1810-06S	18	6	120
H4086-0210-10S	2	10	72	H4086-2410	24	0	120
H4086-0310-09S	3	9	72	H4086-30S	0	30	144
H4086-0610-06S	6	6	72	H4086-0210-28S	2	28	144
H4086-0810-04S	8	4	72	H4086-0410-26S	4	26	144
H4086-1010-02S	10	2	72	H4086-0610-24S	6	24	144
H4086-1210	12	0	72	H4086-36S	0	36	168
H4086-18S	0	18	96	H4086-0410-32S	4	32	168
H4086-0210-16S	2	16	96	H4086-0610-30S	6	30	168
H4086-0410-14S	4	14	96	H4086-42S	0	42	192
H4086-0610-12S	6	12	96	H4086-0410-38S	4	38	192
H4086-0810-10S	8	10	96	H4086-48S	0	48	216

*Remark:Circuits can be combined in parallel for bigger current, N circuits of 10A to get $N \times 10\text{A}$, such as 2 circuits of 10A in parallel for 20A use. 10A circuits No. and signal circuits (5A) No. can be customized based on standard products, pls inquiry Senring for details.

Technical Specification

Mechanical		Electrical		
Spec	Data	Spec	Data	
Working life	pls refer to product grade table		Power	Signal
Rotating speed	pls refer to product grade table	Rated voltage	0~690VAC/VDC	0~440VAC/VDC
Working temp.	-30°C~80°C	Insulation resistance	≥1000mΩ/500VDC	≥1000mΩ/500VDC
Work humidity	0~85% RH	Lead wire spec	AWG17# Silver-plated teflon	AWG22# Silver-plated teflon
Contact material	pls refer to produce grade table	Lead wire length	standard 300mm(can be customized)	
Housing material	AL alloy	Dielectric Strength	800VAC@50Hz,60s	
Torque	0.1N.m (+0.03N.m/6circuits)	Electrical noise	<0.01Ω	
IP grade	IP51			

Product Grade Table

Grade code	Max rotating speed	Working life	Contact material
C:standard	400RPM	20millisons revolutions	precious metal
D:industrial	800RPM	60millisons revolutions	precious metal
H:high quality	1200RPM	150millisons revolutions	gold alloy

Color code of Lead Wire

ring#	1	2	3	4	5	6	7	8	9	10	11	12
color	BLK	BRN	RED	ORG	YEL	GRN	BLU	PUR	GRY	WHT	PINK	LGT BLU
ring#	13	14	15	16	17	18	19	20	21	22	23	24
color	WHT/BLK	WHT/BRN	WHT/RED	WHT/ORG	WHT/YEL	WHT/GRN	WHT/BLU	WHT/PUR	WHT/GRY	BLK/RED	BLK/BRN	Transparent

Remark:"1" : the first wire from rotor side , H4086-06S wire color sequence: BLK/BRN/RED/ORG/WHT/GRN , 24 color wires as one group , if more than 24wires, repeat as sequence , use number tube to tell group 1#, 2#....

H50119 Series



H50119 series standard precise slip ring , integrated structure design, with through hole 50mm , OD119mm , suitable for rotating application which requires a through hole $\leq 50\text{mm}$ (remark: if need a hole $< 50\text{mm}$, can add a inner bushing)

Part No. description

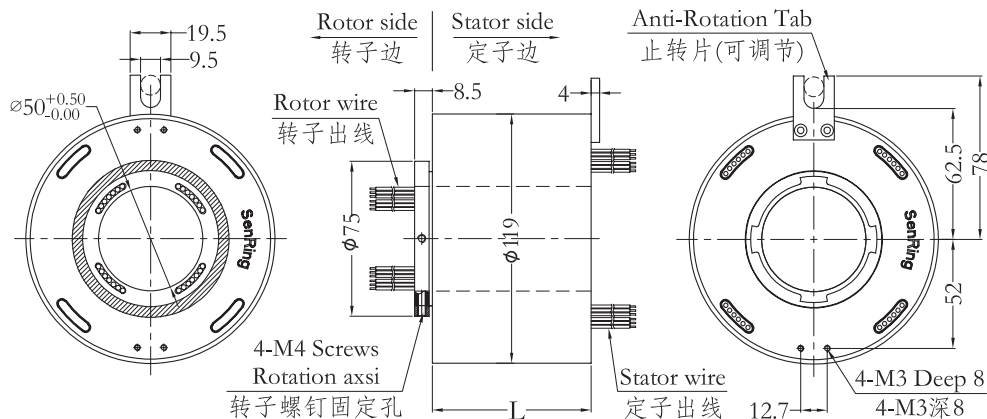
H50119 - Power circuits no. - Signal circuits no. - Eproduct grade

H:through hole slip ring
50119:ID 50mm, OD 119mm

Example:
0610:6 circuits,10A per circuit
1220:2circuits,10A per circuit

Example:
C: standard level
D:Industrial level
H:High quality level

Example:
06S:6circuits signal (0~2A)
12S:12circuits signal (0~2A)



Standard Model List

H50119 series model list							
Part no.	Circuit		Length L(mm)	Part no.	Circuit		Length L(mm)
	10A	Signal or 5A			10A	Signal or 5A	
H50119-02S	0	2	36	H50119-36S	0	36	172
H50119-0210	2	0	36	H50119-0610-30S	6	30	172
H50119-03S	0	3	40	H50119-1210-S24	12	24	172
H50119-0310	3	0	40	H50119-3610	36	0	172
H50119-06S	0	6	52	H50119-42S	0	42	196
H50119-0210-04S	2	4	52	H50119-0610-36S	6	36	196
H50119-0410-02S	4	2	52	H50119-1210-30S	12	30	196
H50119-0610	6	0	52	H50119-4210	42	0	196
H50119-12S	0	12	76	H50119-48S	0	48	220
H50119-0210-10S	2	10	76	H50119-0610-42S	6	42	220
H50119-0310-09S	3	9	76	H50119-1210-36S	12	36	220
H50119-0610-06S	6	6	76	H50119-1810-30S	18	30	220
H50119-0810-04S	8	4	76	H50119-2410-24S	24	24	220
H50119-1010-02S	10	2	76	H50119-4810	48	0	220
H50119-1210	12	0	76	H50119-60S	0	60	268
H50119-18S	0	18	100	H50119-0610-54S	6	54	268
H50119-0210-16S	2	16	100	H50119-0910-51S	9	51	268
H50119-0410-14S	4	14	100	H50119-1210-48S	12	48	268
H50119-0610-12S	6	12	100	H50119-2410-36S	24	36	268
H50119-0810-10S	8	10	100	H50119-72S	0	72	316

Part no.	10A	Signal or 5A	Length L(mm)	Part no.	10A	Signal or 5A	Length L(mm)
H50119-1010-08S	10	8	100	H50119-1210-60S	12	60	316
H50119-1210-06S	12	6	100	H50119-2410-48S	24	48	316
H50119-1410-04S	14	4	100	H50119-3610-36S	36	36	316
H50119-1610-02S	16	2	100	H50119-84S	0	84	364
H50119-24S	0	24	124	H50119-1210-72S	12	72	364
H50119-0410-20S	4	20	124	H50119-2410-60S	24	60	364
H50119-0610-18S	6	18	124	H50119-3610-48S	36	48	364
H50119-1210-12S	12	12	124	H50119-96S	0	96	412
H50119-1810-06S	18	6	124	H50119-1210-84S	12	84	412
H50119-2410	24	0	124	H50119-2410-72S	24	72	412
H50119-30S	0	30	148	H50119-3610-60S	36	60	412
H50119-0610-24S	6	24	148	H50119-4210-54S	42	54	412
H50119-1210-18S	12	18	148	H50119-108S	0	108	460
H50119-1810-12S	18	12	148	H50119-1210-96S	12	96	460
H50119-2410-06S	24	6	148	H50119-2410-84S	24	84	460
H50119-3010	30	0	148	H50119-3610-72S	36	72	460

*Remark: Circuits can be combined in parallel for bigger current, N circuits of 10A to get N*10A, such as 2 circuits of 10A in parallel for 20A use. 10A circuits No. and signal circuits (5A) No. can be customized based on standard products, pls inquiry Senring for details.

Technical Specification

Mechanical		Electrical		
Spec	Data	Spec	Data	
Working life	pls refer to product grade table		Power	Signal
Rotating speed	pls refer to product grade table	Rated voltage	0~690VAC/VDC	0~440VAC/VDC
Working temp.	-30°C~80°C	Insulation resistance	≥1000mΩ/500VDC	≥1000mΩ/500VDC
Work humidity	0~85% RH	Lead wire spec	AWG17# Silver-plated teflon	AWG22# Silver-plated teflon
Contact material	pls refer to produce grade table	Lead wire length	standard 300mm(can be customized)	
Housing material	AL alloy	Dielectric Strength	800VAC@50Hz, 60s	
Torque	0.1N.m (+0.03N.m/6circuits)	Electrical noise	<0.01Ω	
IP grade	IP51			

Product Grade Table

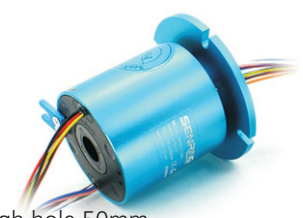
Grade code	Max rotating speed	Working life	Contact material
C:standard	400RPM	20millisons revolutions	precious metal
D:industrial	800RPM	60millisons revolutions	precious metal
H:high quality	1200RPM	150millisons revolutions	gold alloy

Color code of Lead Wire

ring#	1	2	3	4	5	6	7	8	9	10	11	12
color	BLK	BRN	RED	ORG	YEL	GRN	BLU	PUR	GRY	WHT	PINK	LGT BLU
ring#	13	14	15	16	17	18	19	20	21	22	23	24
color	WHT/BLK	WHT/BRN	WHT/RED	WHT/ORG	WHT/YEL	WHT/GRN	WHT/BLU	WHT/PUR	WHT/GRY	BLK/RED	BLK/BRN	Transparent

Remark: "1" : the first wire from rotor side , H50119-06S wire color sequence: BLK/BRN/RED/ORG/WHT/GRN , 24 color wires as one group , if more than 24wires, repeat as sequence , use number tube to tell group 1#, 2#....

H50119F Series



H50119 series standard precise slip ring with flange , integrated structure design, with through hole 50mm , OD119mm , suitable for rotating application which requires a through hole $\leq 50\text{mm}$ (remark: if need a hole $< 50\text{mm}$, can add a inner bushing)

Part No. description

H50119 - F - Power circuits no. - Signal circuits no. - Erodect grade

H:through hole slip ring
50119:ID 50mm, OD 119mm

F:with rotor flange(optional)

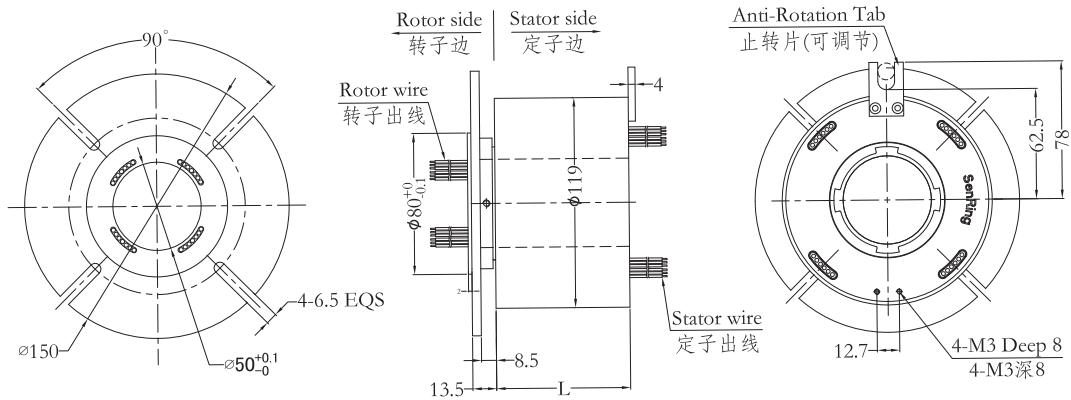
Example:

0610:6 circuits,10A per circuit
1220:2circuits,10A per circuit

Example:
C: standard level
D:Industrial level
H:High quality level

Example:

06S:6circuits signal (0~2A)
12S:12circuits signal (0~2A)



Standard Model List

H50119 F series model list							
Part no.	Circuit		Length L(mm)	Part no.	Circuit		Length L(mm)
	10A	Signal or 5A			10A	Signal or 5A	
H50119F-02S	0	2	36	H50119F-36S	0	36	172
H50119F-0210	2	0	36	H50119F-0610-30S	6	30	172
H50119F-03S	0	3	40	H50119F-1210-S24	12	24	172
H50119F-0310	3	0	40	H50119F-3610	36	0	172
H50119F-06S	0	6	52	H50119F-42S	0	42	196
H50119F-0210-04S	2	4	52	H50119F-0610-36S	6	36	196
H50119F-0410-02S	4	2	52	H50119F-1210-30S	12	30	196
H50119F-0610	6	0	52	H50119F-4210	42	0	196
H50119F-12S	0	12	76	H50119F-48S	0	48	220
H50119F-0210-10S	2	10	76	H50119F-0610-42S	6	42	220
H50119F-0310-09S	3	9	76	H50119F-1210-36S	12	36	220
H50119F-0610-06S	6	6	76	H50119F-1810-30S	18	30	220
H50119F-0810-04S	8	4	76	H50119F-2410-24S	24	24	220
H50119F-1010-02S	10	2	76	H50119F-4810	48	0	220
H50119F-1210	12	0	76	H50119F-60S	0	60	268
H50119F-18S	0	18	100	H50119F-0610-54S	6	54	268
H50119F-0210-16S	2	16	100	H50119F-0910-51S	9	51	268
H50119F-0410-14S	4	14	100	H50119F-1210-48S	12	48	268
H50119F-0610-12S	6	12	100	H50119F-2410-36S	24	36	268
H50119F-0810-10S	8	10	100	H50119F-72S	0	72	316

Part no.	10A	Signal or 5A	Length L(mm)	Part no.	10A	Signal or 5A	Length L(mm)
H50119F-1010-08S	10	8	100	H50119F-1210-60S	12	60	316
H50119F-1210-06S	12	6	100	H50119F-2410-48S	24	48	316
H50119F-1410-04S	14	4	100	H50119F-3610-36S	36	36	316
H50119F-1610-02S	16	2	100	H50119F-84S	0	84	364
H50119F-24S	0	24	124	H50119F-1210-72S	12	72	364
H50119F-0410-20S	4	20	124	H50119F-2410-60S	24	60	364
H50119F-0610-18S	6	18	124	H50119F-3610-48S	36	48	364
H50119F-1210-12S	12	12	124	H50119F-96S	0	96	412
H50119F-1810-06S	18	6	124	H50119F-1210-84S	12	84	412
H50119F-2410	24	0	124	H50119F-2410-72S	24	72	412
H50119F-30S	0	30	148	H50119F-3610-60S	36	60	412
H50119F-0610-24S	6	24	148	H50119F-4210-54S	42	54	412
H50119F-1210-18S	12	18	148	H50119F-108S	0	108	460
H50119F-1810-12S	18	12	148	H50119F-1210-96S	12	96	460
H50119F-2410-06S	24	6	148	H50119F-2410-84S	24	84	460
H50119F-3010	30	0	148	H50119F-3610-72S	36	72	460

*Remark:Circuits can be combined in parallel for bigger current,N circuits of 10A to get N*10A, such as 2 circuits of 10A in parallel for 20A use.10A circuits No. and signal circuits (5A) No. can be customized based on standard products,pls inquiry Senring for details.

Technical Specification

Mechanical		Electrical		
Spec	Data	Spec	Data	
Working life	pls refer to product grade table		Power	Signal
Rotating speed	pls refer to product grade table	Rated voltage	0~690VAC/VDC	0~440VAC/VDC
Working temp.	-30°C~80°C	Insulation resistance	≥1000mΩ/500VDC	≥1000mΩ/500VDC
Work humidity	0~85% RH	Lead wire spec	AWG17# Silver-plated teflon	AWG22# Silver-plated teflon
Contact material	pls refer to produce grade table	Lead wire length	standard 300mm(can be customized)	
Housing material	AL alloy	Dielectric Strength	800VAC@50Hz,60s	
Torque	0.1N.m (+0.03N.m/6circuits)	Electrical noise	<0.01Ω	
IP grade	IP51			

Product Grade Table

Grade code	Max rotating speed	Working life	Contact material
C:standard	400RPM	20millisons revolutions	precious metal
D:industrial	800RPM	60millisons revolutions	precious metal
H:high quality	1200RPM	150millisons revolutions	gold alloy

Color code of Lead Wire

ring#	1	2	3	4	5	6	7	8	9	10	11	12
color	BLK	BRN	RED	ORG	YEL	GRN	BLU	PUR	GRY	WHT	PINK	LGT BLU
ring#	13	14	15	16	17	18	19	20	21	22	23	24
color	WHT/BLK	WHT/BRN	WHT/RED	WHT/ORG	WHT/YEL	WHT/GRN	WHT/BLU	WHT/PUR	WHT/GRY	BLK/RED	BLK/BRN	Transparent

Remark: "1" : the first wire from rotor side , H50119F-06S wire color sequence: BLK/BRN/RED/ORG/WHT/GRN , 24 color wires as one group , if more than 24wires, repeat as sequence , use number tube to tell group 1#, 2#....

H50130 Series



H50130 series standard precise slip ring , integrated structure design, with through hole 50mm , OD130mm , suitable for rotating application which requires a through hole $\leq 50\text{mm}$ (remark: if need a hole $< 50\text{mm}$, can add a inner bushing)

Part No. description

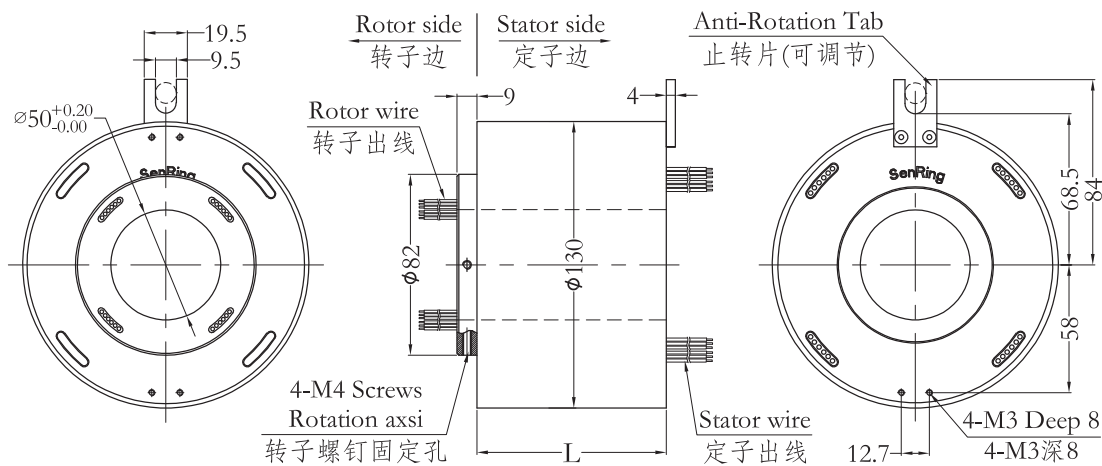
H50130 - Power circuits no. - Signal circuits no. - Eproduct grade

H:through hole slip ring
50130:ID 50mm, OD 130mm

Example:
0610:6 circuits,10A per circuit
1220:2circuits,10A per circuit

Example:
C: standard level
D:Industrial level
H:High quality level

Example:
06S:6circuits signal (0~2A)
12S:12circuits signal (0~2A)



Standard Model List

H50130 series model list							
Part no.	Circuit		Length L(mm)	Part no.	Circuit		Length L(mm)
	10A	Signal or 5A			10A	Signal or 5A	
H50130-02S	0	2	36	H50130-48S	0	48	220
H50130-0210	2	0	36	H50130-0610-42S	6	42	220
H50130-03S	0	3	40	H50130-1210-36S	12	36	220
H50130-0310	3	0	40	H50130-1810-30S	18	30	220
H50130-06S	0	6	52	H50130-2410-24S	24	24	220
H50130-0210-04S	2	4	52	H50130-4810	48	0	220
H50130-0410-02S	4	2	52	H50130-60S	0	60	268
H50130-0610	6	0	52	H50130-0610-54S	6	54	268
H50130-12S	0	12	76	H50130-0910-51S	9	51	268
H50130-0210-10S	2	10	76	H50130-1210-48S	12	48	268
H50130-0310-09S	3	9	76	H50130-2410-36S	24	36	268
H50130-0610-06S	6	6	76	H50130-72S	0	72	316
H50130-0810-04S	8	4	76	H50130-1210-60S	12	60	316
H50130-1010-02S	10	2	76	H50130-2410-48S	24	48	316
H50130-1210	12	0	76	H50130-3610-36S	36	36	316
H50130-18S	0	18	100	H50130-84S	0	84	364
H50130-0210-16S	2	16	100	H50130-1210-72S	12	72	364
H50130-0410-14S	4	14	100	H50130-2410-60S	24	60	364
H50130-0610-12S	6	12	100	H50130-3610-48S	36	48	364
H50130-0810-10S	8	10	100	H50130-96S	0	96	412

Part no.	10A	Signal or 5A	Length L(mm)	Part no.	10A	Signal or 5A	Length L(mm)
H50130-1010-08S	10	8	100	H50130-1210-84S	12	84	412
H50130-1210-06S	12	6	100	H50130-2410-72S	24	72	412
H50130-1410-04S	14	4	100	H50130-3610-60S	36	60	412
H50130-1610-02S	16	2	100	H50130-4210-54S	42	54	412
H50130-24S	0	24	124	H50130-108S	0	108	460
H50130-0410-20S	4	20	124	H50130-1210-96S	12	96	460
H50130-0610-18S	6	18	124	H50130-2410-84S	24	84	460
H50130-1210-12S	12	12	124	H50130-3610-72S	36	72	460
H50130-1810-06S	18	6	124	H50130-120S	0	120	508
H50130-2410	24	0	124	H50130-1210-108S	12	108	508
H50130-30S	0	30	148	H50130-2410-96S	24	96	508
H50130-0610-24S	6	24	148	H50130-3610-84S	36	84	508
H50130-1210-18S	12	18	148	H50130-4810-72S	48	72	508
H50130-1810-12S	18	12	148	H50130-132S	0	132	556
H50130-2410-06S	24	6	148	H50130-1210-120S	12	120	556
H50130-3010	30	0	148	H50130-2410-108S	24	108	556
H50130-36S	0	36	172	H50130-3610-96S	36	96	556
H50130-0610-30S	6	30	172	H50130-4810-84S	48	84	556
H50130-1210-524	12	24	172	H50130-144S	0	144	604
H50130-3610	36	0	172	H50130-1210-132S	12	132	604
H50130-42S	0	42	196	H50130-2410-120S	24	120	604
H50130-0610-36S	6	36	196	H50130-3610-108S	36	108	604
H50130-1210-30S	12	30	196	H50130-4810-96S	48	96	604
H50130-4210	42	0	196	H50130-6010-84S	60	84	604

*Remark: Circuits can be combined in parallel for bigger current, N circuits of 10A to get N*10A, such as 2 circuits of 10A in parallel for 20A use. 10A circuits No. and signal circuits (5A) No. can be customized based on standard products, pls inquiry Senring for details.

Technical Specification

Mechanical		Electrical		
Spec	Data	Spec	Data	
Working life	pls refer to product grade table		Power	Signal
Rotating speed	pls refer to product grade table	Rated voltage	0~690VAC/VDC	0~440VAC/VDC
Working temp.	-30°C~80°C	Insulation resistance	≥1000mΩ/500VDC	≥1000mΩ/500VDC
Work humidity	0~85% RH	Lead wire spec	AWG17# Silver-plated teflon	AWG22# Silver-plated teflon
Contact material	pls refer to produce grade table	Lead wire length	standard 300mm(can be customized)	
Housing material	AL alloy	Dielectric Strength	800VAC@50Hz,60s	
Torque	0.1N.m (+0.03N.m/6circuits)	Electrical noise	<0.01Ω	
IP grade	IP51			

Product Grade Table

Grade code	Max rotating speed	Working life	Contact material
C:standard	400RPM	20millions revolutions	precious metal
D:industrial	800RPM	60millions revolutions	precious metal
H:high quality	1200RPM	150millions revolutions	gold alloy

Color code of Lead Wire

ring#	1	2	3	4	5	6	7	8	9	10	11	12
color	BLK	BRN	RED	ORG	YEL	GRN	BLU	PUR	GRY	WHT	PINK	LGT BLU
ring#	13	14	15	16	17	18	19	20	21	22	23	24
color	WHT/BLK	WHT/BRN	WHT/RED	WHT/ORG	WHT/YEL	WHT/GRN	WHT/BLU	WHT/PUR	WHT/GRY	BLK/RED	BLK/BRN	Transparent

Remark: "1" : the first wire from rotor side , H50130-06S wire color sequence: BLK/BRN/RED/ORG/WHT/GRN , 24 color wires as one group , if more than 24wires, repeat as sequence , use number tube to tell group 1#, 2#....



H60119 Series

H60119 series standard precise slip ring , integrated structure design, with through hole 60mm , OD119mm , suitable for rotating application which requires a through hole ≤ 60 mm (remark: if need a hole < 60 mm, can add a inner bushing)

Part No. description

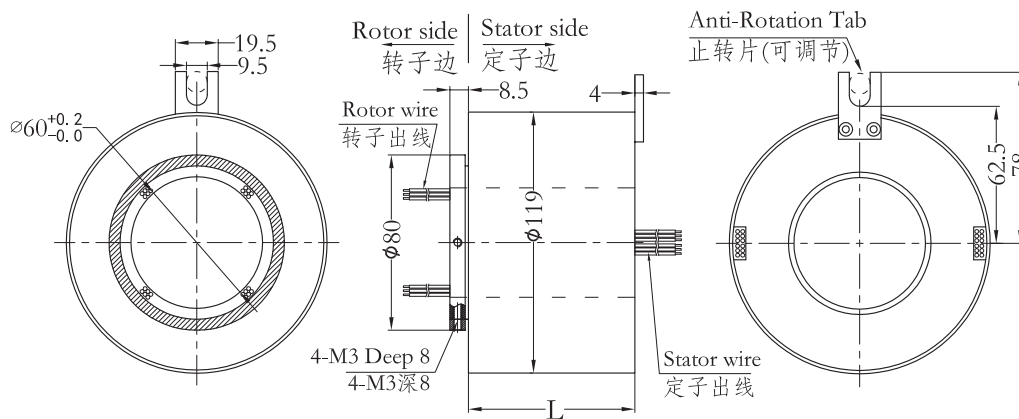
H60119 - Power circuits no. - Signal circuits no. - Eproduct grade

H:through hole slip ring
60119:ID 60mm, OD 119mm

Example:
0610:6 circuits,10A per circuit
1220:2circuits,10A per circuit

Example:
C: standard level
D:Industrial level
H:High quality level

Example:
06S:6circuits signal (0~2A)
12S:12circuits signal (0~2A)



Standard Model List

H60119 series model list							
Part no.	Circuit		Length L(mm)	Part no.	Circuit		Length L(mm)
	10A	Signal or 5A			10A	Signal or 5A	
H60119-02S	0	2	36	H60119-36S	0	36	172
H60119-0210	2	0	36	H60119-0610-30S	6	30	172
H60119-03S	0	3	40	H60119-1210-S24	12	24	172
H60119-0310	3	0	40	H60119-3610	36	0	172
H60119-06S	0	6	52	H60119-42S	0	42	196
H60119-0210-04S	2	4	52	H60119-0610-36S	6	36	196
H60119-0410-02S	4	2	52	H60119-1210-30S	12	30	196
H60119-0610	6	0	52	H60119-4210	42	0	196
H60119-12S	0	12	76	H60119-48S	0	48	220
H60119-0210-10S	2	10	76	H60119-0610-42S	6	42	220
H60119-0310-09S	3	9	76	H60119-1210-36S	12	36	220
H60119-0610-06S	6	6	76	H60119-1810-30S	18	30	220
H60119-0810-04S	8	4	76	H60119-2410-24S	24	24	220
H60119-1010-02S	10	2	76	H60119-4810	48	0	220
H60119-1210	12	0	76	H60119-60S	0	60	268
H60119-18S	0	18	100	H60119-0610-54S	6	54	268
H60119-0210-16S	2	16	100	H60119-0910-51S	9	51	268
H60119-0410-14S	4	14	100	H60119-1210-48S	12	48	268
H60119-0610-12S	6	12	100	H60119-2410-36S	24	36	268
H60119-0810-10S	8	10	100	H60119-72S	0	72	316

Part no.	10A	Signal or 5A	Length L(mm)	Part no.	10A	Signal or 5A	Length L(mm)
H60119-1010-08S	10	8	100	H60119-1210-60S	12	60	316
H60119-1210-06S	12	6	100	H60119-2410-48S	24	48	316
H60119-1410-04S	14	4	100	H60119-3610-36S	36	36	316
H60119-1610-02S	16	2	100	H60119-84S	0	84	364
H60119-24S	0	24	124	H60119-1210-72S	12	72	364
H60119-0410-20S	4	20	124	H60119-2410-60S	24	60	364
H60119-0610-18S	6	18	124	H60119-3610-48S	36	48	364
H60119-1210-12S	12	12	124	H60119-96S	0	96	412
H60119-1810-06S	18	6	124	H60119-1210-84S	12	84	412
H60119-2410	24	0	124	H60119-2410-72S	24	72	412
H60119-30S	0	30	148	H60119-3610-60S	36	60	412
H60119-0610-24S	6	24	148	H60119-4210-54S	42	54	412
H60119-1210-18S	12	18	148	H60119-108S	0	108	460
H60119-1810-12S	18	12	148	H60119-1210-96S	12	96	460
H60119-2410-06S	24	6	148	H60119-2410-84S	24	84	460
H60119-3010	30	0	148	H60119-3610-72S	36	72	460

*Remark: Circuits can be combined in parallel for bigger current, N circuits of 10A to get N*10A, such as 2 circuits of 10A in parallel for 20A use. 10A circuits No. and signal circuits (5A) No. can be customized based on standard products, pls inquiry Senring for details.

Technical Specification

Mechanical		Electrical		
Spec	Data	Spec	Data	
Working life	pls refer to product grade table		Power	Signal
Rotating speed	pls refer to product grade table	Rated voltage	0~690VAC/VDC	0~440VAC/VDC
Working temp.	-30°C~80°C	Insulation resistance	≥ 1000mΩ/500VDC	≥ 1000mΩ/500VDC
Work humidity	0~85% RH	Lead wire spec	AWG17# Silver-plated teflon	AWG22# Silver-plated teflon
Contact material	pls refer to produce grade table	Lead wire length	standard 300mm(can be customized)	
Housing material	AL alloy	Dielectric Strength	800VAC@50Hz,60s	
Torque	0.1N.m (+0.03N.m/6circuits)	Electrical noise	<0.01Ω	
IP grade	IP51			

Product Grade Table

Grade code	Max rotating speed	Working life	Contact material
C:standard	400RPM	20millisons revolutions	precious metal
D:industrial	800RPM	60millisons revolutions	precious metal
H:high quality	1200RPM	150millisons revolutions	gold alloy

Color code of Lead Wire

ring#	1	2	3	4	5	6	7	8	9	10	11	12
color	BLK	BRN	RED	ORG	YEL	GRN	BLU	PUR	GRY	WHT	PINK	LGT BLU
ring#	13	14	15	16	17	18	19	20	21	22	23	24
color	WHT/BLK	WHT/BRN	WHT/RED	WHT/ORG	WHT/YEL	WHT/GRN	WHT/BLU	WHT/PUR	WHT/GRY	BLK/RED	BLK/BRN	Transparent

Remark: "1" : the first wire from rotor side , H60119-06S wire color sequence: BLK/BRN/RED/ORG/WHT/GRN , 24 color wires as one group , if more than 24wires, repeat as sequence , use number tube to tell group 1#, 2#....

H60130 Series

H60130 series standard precise slip ring , integrated structure design, with through hole 60mm , OD130mm , suitable for rotating application which requires a through hole $\leq 60\text{mm}$ (remark: if need a hole $< 60\text{mm}$, can add a inner bushing)



Part No. description

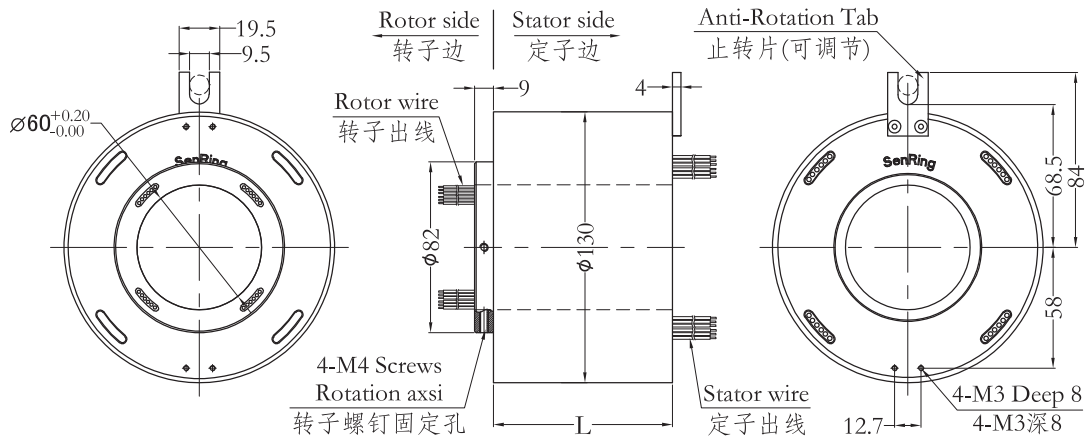
H60130 - Power circuits no. - Signal circuits no. - Eproduct grade

H:through hole slip ring
60130:ID 60mm, OD 130mm

Example:
0610:6 circuits,10A per circuit
1220:2circuits,10A per circuit

Example:
C: standard level
D:Industrial level
H:High quality level

Example:
06S:6circuits signal (0~2A)
12S:12circuits signal (0~2A)



Standard Model List

H60130 series model list							
Part no.	Circuit		Length L(mm)	Part no.	Circuit		Length L(mm)
	10A	Signal or 5A			10A	Signal or 5A	
H60130-02S	0	2	36	H60130-36S	0	36	172
H60130-0210	2	0	36	H60130-0610-30S	6	30	172
H60130-03S	0	3	40	H60130-1210-S24	12	24	172
H60130-0310	3	0	40	H60130-3610	36	0	172
H60130-06S	0	6	52	H60130-42S	0	42	196
H60130-0210-04S	2	4	52	H60130-0610-36S	6	36	196
H60130-0410-02S	4	2	52	H60130-1210-30S	12	30	196
H60130-0610	6	0	52	H60130-4210	42	0	196
H60130-12S	0	12	76	H60130-48S	0	48	220
H60130-0210-10S	2	10	76	H60130-0610-42S	6	42	220
H60130-0310-09S	3	9	76	H60130-1210-36S	12	36	220
H60130-0610-06S	6	6	76	H60130-1810-30S	18	30	220
H60130-0810-04S	8	4	76	H60130-2410-24S	24	24	220
H60130-1010-02S	10	2	76	H60130-4810	48	0	220
H60130-1210	12	0	76	H60130-60S	0	60	268
H60130-18S	0	18	100	H60130-0610-54S	6	54	268
H60130-0210-16S	2	16	100	H60130-0910-51S	9	51	268
H60130-0410-14S	4	14	100	H60130-1210-48S	12	48	268
H60130-0610-12S	6	12	100	H60130-2410-36S	24	36	268
H60130-0810-10S	8	10	100	H60130-72S	0	72	316

Part no.	10A	Signal or 5A	Length L(mm)	Part no.	10A	Signal or 5A	Length L(mm)
H60130-1010-08S	10	8	100	H60130-1210-60S	12	60	316
H60130-1210-06S	12	6	100	H60130-2410-48S	24	48	316
H60130-1410-04S	14	4	100	H60130-3610-36S	36	36	316
H60130-1610-02S	16	2	100	H60130-84S	0	84	364
H60130-24S	0	24	124	H60130-1210-72S	12	72	364
H60130-0410-20S	4	20	124	H60130-2410-60S	24	60	364
H60130-0610-18S	6	18	124	H60130-3610-48S	36	48	364
H60130-1210-12S	12	12	124	H60130-96S	0	96	412
H60130-1810-06S	18	6	124	H60130-1210-84S	12	84	412
H60130-2410	24	0	124	H60130-2410-72S	24	72	412
H60130-30S	0	30	148	H60130-3610-60S	36	60	412
H60130-0610-24S	6	24	148	H60130-4210-54S	42	54	412
H60130-1210-18S	12	18	148	H60130-108S	0	108	460
H60130-1810-12S	18	12	148	H60130-1210-96S	12	96	460
H60130-2410-06S	24	6	148	H60130-2410-84S	24	84	460
H60130-3010	30	0	148	H60130-3610-72S	36	72	460

*Remark: Circuits can be combined in parallel for bigger current, N circuits of 10A to get N*10A, such as 2 circuits of 10A in parallel for 20A use. 10A circuits No. and signal circuits (5A) No. can be customized based on standard products, pls inquiry Senring for details.

Technical Specification

Mechanical		Electrical		
Spec	Data	Spec	Data	
Working life	pls refer to product grade table		Power	Signal
Rotating speed	pls refer to product grade table	Rated voltage	0~690VAC/VDC	0~440VAC/VDC
Working temp.	-30°C~80°C	Insulation resistance	≥1000mΩ/500VDC	≥1000mΩ/500VDC
Work humidity	0~85% RH	Lead wire spec	AWG17# Silver-plated teflon	AWG22# Silver-plated teflon
Contact material	pls refer to produce grade table	Lead wire length	standard 300mm(can be customized)	
Housing material	AL alloy	Dielectric Strength	800VAC@50Hz,60s	
Torque	0.1N.m (+0.03N.m/6circuits)	Electrical noise	<0.01Ω	
IP grade	IP51			

Product Grade Table

Grade code	Max rotating speed	Working life	Contact material
C:standard	400RPM	20millisons revolutions	precious metal
D:industrial	800RPM	60millisons revolutions	precious metal
H:high quality	1200RPM	150millisons revolutions	gold alloy

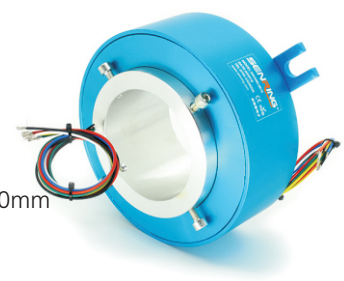
Color code of Lead Wire

ring#	1	2	3	4	5	6	7	8	9	10	11	12
color	BLK	BRN	RED	ORG	YEL	GRN	BLU	PUR	GRY	WHT	PINK	LGT BLU
ring#	13	14	15	16	17	18	19	20	21	22	23	24
color	WHT/BLK	WHT/BRN	WHT/RED	WHT/ORG	WHT/YEL	WHT/GRN	WHT/BLU	WHT/PUR	WHT/GRY	BLK/RED	BLK/BRN	Transparent

Remark: "1" : the first wire from rotor side , H60130-06S wire color sequence: BLK/BRN/RED/ORG/WHT/GRN , 24 color wires as one group , if more than 24wires, repeat as sequence , use number tube to tell group 1#, 2#....

H70140 Series

H70140 series standard precise slip ring , integrated structure design, with through hole 70mm , OD140mm , suitable for rotating application which requires a through hole $\leq 70\text{mm}$ (remark: if need a hole $< 70\text{mm}$, can add a inner bushing)



Part No. description

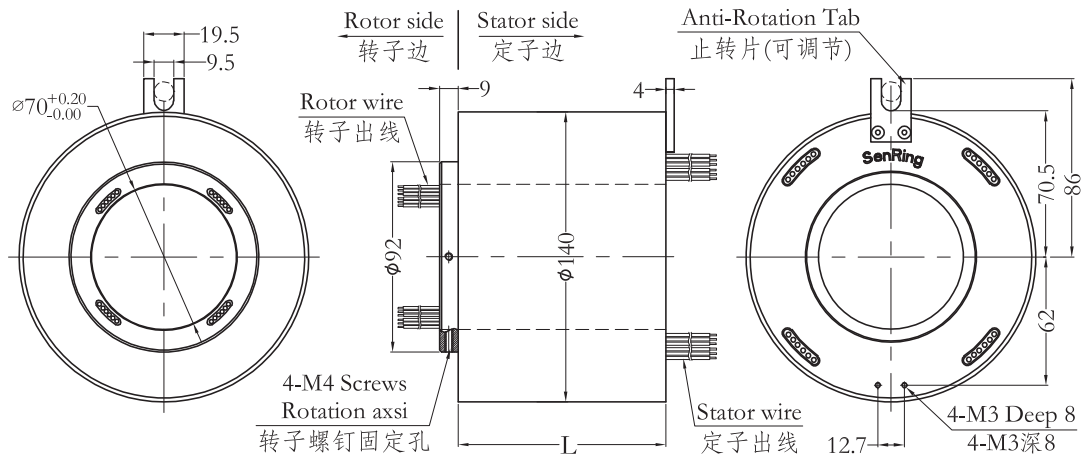
H70140 - Power circuits no. - Signal circuits no. - Eproduct grade

H:through hole slip ring
70140:ID 70mm, OD 140mm

Example:
0610:6 circuits,10A per circuit
1220:2circuits,10A per circuit

Example:
C: standard level
D:Industrial level
H:High quality level

Example:
06S:6circuits signal (0~2A)
12S:12circuits signal (0~2A)



Standard Model List

H70140 series model list							
Part no.	Circuit		Length L(mm)	Part no.	Circuit		Length L(mm)
	10A	Signal or 5A			10A	Signal or 5A	
H70140-02S	0	2	42	H70140-36S	0	36	178
H70140-0210	2	0	42	H70140-0610-30S	6	30	178
H70140-03S	0	3	46	H70140-1210-S24	12	24	178
H70140-0310	3	0	46	H70140-3610	36	0	178
H70140-06S	0	6	58	H70140-42S	0	42	202
H70140-0210-04S	2	4	58	H70140-0610-36S	6	36	202
H70140-0410-02S	4	2	58	H70140-1210-30S	12	30	202
H70140-0610	6	0	58	H70140-4210	42	0	202
H70140-12S	0	12	82	H70140-48S	0	48	226
H70140-0210-10S	2	10	82	H70140-0610-42S	6	42	226
H70140-0310-09S	3	9	82	H70140-1210-36S	12	36	226
H70140-0610-06S	6	6	82	H70140-1810-30S	18	30	226
H70140-0810-04S	8	4	82	H70140-2410-24S	24	24	226
H70140-1010-02S	10	2	82	H70140-4810	48	0	226
H70140-1210	12	0	82	H70140-60S	0	60	274
H70140-18S	0	18	106	H70140-0610-54S	6	54	274
H70140-0210-16S	2	16	106	H70140-0910-51S	9	51	274
H70140-0410-14S	4	14	106	H70140-1210-48S	12	48	274
H70140-0610-12S	6	12	106	H70140-2410-36S	24	36	274
H70140-0810-10S	8	10	106	H70140-72S	0	72	322

Part no.	10A	Signal or 5A	Length L(mm)	Part no.	10A	Signal or 5A	Length L(mm)
H70140-1010-08S	10	8	106	H70140-1210-60S	12	60	322
H70140-1210-06S	12	6	106	H70140-2410-48S	24	48	322
H70140-1410-04S	14	4	106	H70140-3610-36S	36	36	322
H70140-1610-02S	16	2	106	H70140-84S	0	84	370
H70140-24S	0	24	130	H70140-1210-72S	12	72	370
H70140-0410-20S	4	20	130	H70140-2410-60S	24	60	370
H70140-0610-18S	6	18	130	H70140-3610-48S	36	48	370
H70140-1210-12S	12	12	130	H70140-96S	0	96	418
H70140-1810-06S	18	6	130	H70140-1210-84S	12	84	418
H70140-2410	24	0	130	H70140-2410-72S	24	72	418
H70140-30S	0	30	154	H70140-3610-60S	36	60	418
H70140-0610-24S	6	24	154	H70140-4210-54S	42	54	418
H70140-1210-18S	12	18	154	H70140-108S	0	108	466
H70140-1810-12S	18	12	154	H70140-1210-96S	12	96	466
H70140-2410-06S	24	6	154	H70140-2410-84S	24	84	466
H70140-3010	30	0	154	H70140-3610-72S	36	72	466

*Remark:Circuits can be combined in parallel for bigger current,N circuits of 10A to get N*10A, such as 2 circuits of 10A in parallel for 20Ause. 10A circuits No. and signal circuits (5A) No. can be customized based on standard products,pls inquiry Senring for details.

Technical Specification

Mechanical		Electrical		
Spec	Data	Spec	Data	
Working life	pls refer to product grade table		Power	Signal
Rotating speed	pls refer to product grade table	Rated voltage	0~690VAC/VDC	0~440VAC/VDC
Working temp.	-30°C~80°C	Insulation resistance	≥1000mΩ/500VDC	≥1000mΩ/500VDC
Work humidity	0~85% RH	Lead wire spec	AWG17# Silver-plated teflon	AWG22# Silver-plated teflon
Contact material	pls refer to produce grade table	Lead wire length	standard 300mm(can be customized)	
Housing material	AL alloy	Dielectric Strength	800VAC@50Hz,60s	
Torque	0.1N.m (+0.03N.m/6circuits)	Electrical noise	<0.01Ω	
IP grade	IP51			

Product Grade Table

Grade code	Max rotating speed	Working life	Contact material
C:standard	400RPM	20millions revolutions	precious metal
D:industrial	800RPM	60millions revolutions	precious metal
H:high quality	1200RPM	150millions revolutions	gold alloy

Color code of Lead Wire

ring#	1	2	3	4	5	6	7	8	9	10	11	12
color	BLK	BRN	RED	ORG	YEL	GRN	BLU	PUR	GRY	WHT	PINK	LGT BLU
ring#	13	14	15	16	17	18	19	20	21	22	23	24
color	WHT/BLK	WHT/BRN	WHT/RED	WHT/ORG	WHT/YEL	WHT/GRN	WHT/BLU	WHT/PUR	WHT/GRY	BLK/RED	BLK/BRN	Transparent

Remark:"1" : the first wire from rotor side , H70140-06S wire color sequence: BLK/BRN/RED/ORG/WHT/GRN , 24 color wires as one group , if more than 24wires, repeat as sequence , use number tube to tell group 1#, 2#....

H70158 Series



H70158 series standard precise slip ring , integrated structure design, with through hole 70mm , OD158mm , suitable for rotating application which requires a through hole $\leq 70\text{mm}$ (remark: if need a hole $< 70\text{mm}$, can add a inner bushing)

Part No. description

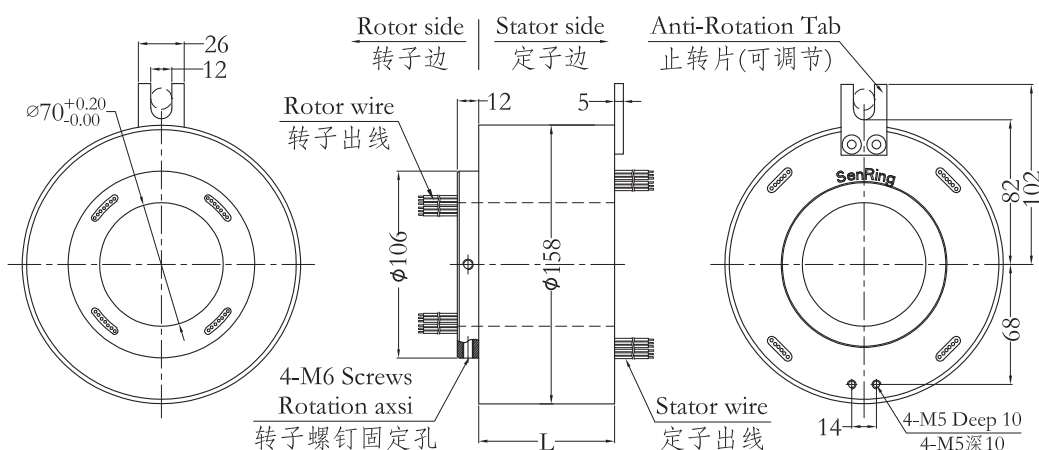
H70158 - Power circuits no. - Signal circuits no. - Eproduct grade

H:through hole slip ring
70158:ID 70mm, OD 158mm

Example:
0610:6 circuits,10A per circuit
1220:2circuits,10A per circuit

Example:
C: standard level
D:Industrial level
H:High quality level

Example:
06S:6circuits signal (0~2A)
12S:12circuits signal (0~2A)



Standard Model List

H70158 series model list							
Part no.	Circuit		Length L(mm)	Part no.	Circuit		Length L(mm)
	10A	Signal or 5A			10A	Signal or 5A	
H70158-02S	0	2	42	H70158-36S	0	36	178
H70158-0210	2	0	42	H70158-0610-30S	6	30	178
H70158-03S	0	3	46	H70158-1210-S24	12	24	178
H70158-0310	3	0	46	H70158-3610	36	0	178
H70158-06S	0	6	58	H70158-42S	0	42	202
H70158-0210-04S	2	4	58	H70158-0610-36S	6	36	202
H70158-0410-02S	4	2	58	H70158-1210-30S	12	30	202
H70158-0610	6	0	58	H70158-4210	42	0	202
H70158-12S	0	12	82	H70158-48S	0	48	226
H70158-0210-10S	2	10	82	H70158-0610-42S	6	42	226
H70158-0310-09S	3	9	82	H70158-1210-36S	12	36	226
H70158-0610-06S	6	6	82	H70158-1810-30S	18	30	226
H70158-0810-04S	8	4	82	H70158-2410-24S	24	24	226
H70158-1010-02S	10	2	82	H70158-4810	48	0	226
H70158-1210	12	0	82	H70158-60S	0	60	274
H70158-18S	0	18	106	H70158-0610-54S	6	54	274
H70158-0210-16S	2	16	106	H70158-0910-51S	9	51	274
H70158-0410-14S	4	14	106	H70158-1210-48S	12	48	274
H70158-0610-12S	6	12	106	H70158-2410-36S	24	36	274
H70158-0810-10S	8	10	106	H70158-72S	0	72	322

Part no.	10A	Signal or 5A	Length L(mm)	Part no.	10A	Signal or 5A	Length L(mm)
H70158-1010-08S	10	8	106	H70158-1210-60S	12	60	322
H70158-1210-06S	12	6	106	H70158-2410-48S	24	48	322
H70158-1410-04S	14	4	106	H70158-3610-36S	36	36	322
H70158-1610-02S	16	2	106	H70158-84S	0	84	370
H70158-24S	0	24	130	H70158-1210-72S	12	72	370
H70158-0410-20S	4	20	130	H70158-2410-60S	24	60	370
H70158-0610-18S	6	18	130	H70158-3610-48S	36	48	370
H70158-1210-12S	12	12	130	H70158-96S	0	96	418
H70158-1810-06S	18	6	130	H70158-1210-84S	12	84	418
H70158-2410	24	0	130	H70158-2410-72S	24	72	418
H70158-30S	0	30	154	H70158-3610-60S	36	60	418
H70158-0610-24S	6	24	154	H70158-4210-54S	42	54	418
H70158-1210-18S	12	18	154	H70158-108S	0	108	466
H70158-1810-12S	18	12	154	H70158-1210-96S	12	96	466
H70158-2410-06S	24	6	154	H70158-2410-84S	24	84	466
H70158-3010	30	0	154	H70158-3610-72S	36	72	466

*Remark: Circuits can be combined in parallel for bigger current, N circuits of 10A to get N*10A, such as 2 circuits of 10A in parallel for 20A use. 10A circuits No. and signal circuits (5A) No. can be customized based on standard products, pls inquiry Senring for details.

Technical Specification

Mechanical		Electrical		
Spec	Data	Spec	Data	
Working life	pls refer to product grade table		Power	Signal
Rotating speed	pls refer to product grade table	Rated voltage	0~690VAC/VDC	0~440VAC/VDC
Working temp.	-30°C~80°C	Insulation resistance	≥1000mΩ/500VDC	≥1000mΩ/500VDC
Work humidity	0~85% RH	Lead wire spec	AWG17# Silver-plated teflon	AWG22# Silver-plated teflon
Contact material	pls refer to produce grade table	Lead wire length	standard 300mm(can be customized)	
Housing material	AL alloy	Dielectric Strength	800VAC@50Hz,60s	
Torque	0.1N.m (+0.03N.m/6circuits)	Electrical noise	<0.01Ω	
IP grade	IP51			

Product Grade Table

Grade code	Max rotating speed	Working life	Contact material
C:standard	250RPM	20millisons revolutions	precious metal
D:industrial	800RPM	60millisons revolutions	precious metal
H:high quality	1200RPM	150millisons revolutions	gold alloy

Color code of Lead Wire

ring#	1	2	3	4	5	6	7	8	9	10	11	12
color	BLK	BRN	RED	ORG	YEL	GRN	BLU	PUR	GRY	WHT	PINK	LGT BLU
ring#	13	14	15	16	17	18	19	20	21	22	23	24
color	WHT/BLK	WHT/BRN	WHT/RED	WHT/ORG	WHT/YEL	WHT/GRN	WHT/BLU	WHT/PUR	WHT/GRY	BLK/RED	BLK/BRN	Transparent

Remark:"1" : the first wire from rotor side , H70158-06S wire color sequence: BLK/BRN/RED/ORG/WHT/GRN , 24 color wires as one group , if more than 24wires, repeat as sequence , use number tube to tell group 1#, 2#....

H80158 Series



H80158 series standard precise slip ring , integrated structure design, with through hole 80mm , OD158mm , suitable for rotating application which requires a through hole $\leq 80\text{mm}$ (remark: if need a hole $< 80\text{mm}$, can add a inner bushing)

Part No. description

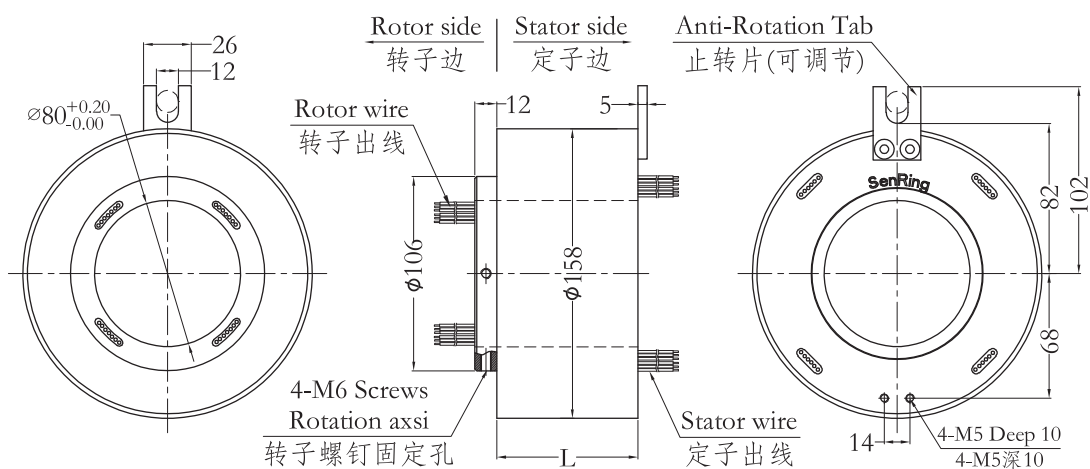
H80158 - Power circuits no. - Signal circuits no. - Eproduct grade

H:through hole slip ring
80158:ID 80mm, OD 158mm

Example:
0610:6 circuits, 10A per circuit
1220:2circuits, 10A per circuit

Example:
C: standard level
D:Industrial level
H:High quality level

Example:
06S:6circuits signal (0~2A)
12S:12circuits signal (0~2A)



Standard Model List

H80158 series model list

Part no.	Circuit		Length L(mm)	Part no.	Circuit		Length L(mm)
	10A	Signal or 5A			10A	Signal or 5A	
H80158-02S	0	2	42	H80158-36S	0	36	178
H80158-0210	2	0	42	H80158-0610-30S	6	30	178
H80158-03S	0	3	46	H80158-1210-S24	12	24	178
H80158-0310	3	0	46	H80158-3610	36	0	178
H80158-06S	0	6	58	H80158-42S	0	42	202
H80158-0210-04S	2	4	58	H80158-0610-36S	6	36	202
H80158-0410-02S	4	2	58	H80158-1210-30S	12	30	202
H80158-0610	6	0	58	H80158-4210	42	0	202
H80158-12S	0	12	82	H80158-48S	0	48	226
H80158-0210-10S	2	10	82	H80158-0610-42S	6	42	226
H80158-0310-09S	3	9	82	H80158-1210-36S	12	36	226
H80158-0610-06S	6	6	82	H80158-1810-30S	18	30	226
H80158-0810-04S	8	4	82	H80158-2410-24S	24	24	226
H80158-1010-02S	10	2	82	H80158-4810	48	0	226
H80158-1210	12	0	82	H80158-60S	0	60	274
H80158-18S	0	18	106	H80158-0610-54S	6	54	274
H80158-0210-16S	2	16	106	H80158-0910-51S	9	51	274
H80158-0410-14S	4	14	106	H80158-1210-48S	12	48	274
H80158-0610-12S	6	12	106	H80158-2410-36S	24	36	274
H80158-0810-10S	8	10	106	H80158-72S	0	72	322

Part no.	10A	Signal or 5A	Length L(mm)	Part no.	10A	Signal or 5A	Length L(mm)
H80158-1010-08S	10	8	106	H80158-1210-60S	12	60	322
H80158-1210-06S	12	6	106	H80158-2410-48S	24	48	322
H80158-1410-04S	14	4	106	H80158-3610-36S	36	36	322
H80158-1610-02S	16	2	106	H80158-84S	0	84	370
H80158-24S	0	24	130	H80158-1210-72S	12	72	370
H80158-0410-20S	4	20	130	H80158-2410-60S	24	60	370
H80158-0610-18S	6	18	130	H80158-3610-48S	36	48	370
H80158-1210-12S	12	12	130	H80158-96S	0	96	418
H80158-1810-06S	18	6	130	H80158-1210-84S	12	84	418
H80158-2410	24	0	130	H80158-2410-72S	24	72	418
H80158-30S	0	30	154	H80158-3610-60S	36	60	418
H80158-0610-24S	6	24	154	H80158-4210-54S	42	54	418
H80158-1210-18S	12	18	154	H80158-108S	0	108	466
H80158-1810-12S	18	12	154	H80158-1210-96S	12	96	466
H80158-2410-06S	24	6	154	H80158-2410-84S	24	84	466
H80158-3010	30	0	154	H80158-3610-72S	36	72	466

*Remark:Circuits can be combined in parallel for bigger current,N circuits of 10A to get N*10A, such as 2 circuits of 10A in parallel for 20A use.10A circuits No. and signal circuits (5A) No. can be customized based on standard products,pls inquiry Senring for details.

Technical Specification

Mechanical		Electrical		
Spec	Data	Spec	Data	
Working life	pls refer to product grade table		Power	Signal
Rotating speed	pls refer to product grade table	Rated voltage	0~690VAC/VDC	0~440VAC/VDC
Working temp.	-30°C~80°C	Insulation resistance	≥1000mΩ/500VDC	≥1000mΩ/500VDC
Work humidity	0~85% RH	Lead wire spec	AWG17# Silver-plated teflon	AWG22# Silver-plated teflon
Contact material	pls refer to produce grade table	Lead wire length	standard 300mm(can be customized)	
Housing material	AL alloy	Dielectric Strength	800VAC@50Hz,60s	
Torque	0.1N.m (+0.03N.m/6circuits)	Electrical noise	<0.01Ω	
IP grade	IP51			

Product Grade Table

Grade code	Max rotating speed	Working life	Contact material
C:standard	250RPM	20millisons revolutions	precious metal
D:industrial	800RPM	60millisons revolutions	precious metal
H:high quality	1200RPM	150millisons revolutions	gold alloy

Color code of Lead Wire

ring#	1	2	3	4	5	6	7	8	9	10	11	12
color	BLK	BRN	RED	ORG	YEL	GRN	BLU	PUR	GRY	WHT	PINK	LGT BLU
ring#	13	14	15	16	17	18	19	20	21	22	23	24
color	WHT/BLK	WHT/BRN	WHT/RED	WHT/ORG	WHT/YEL	WHT/GRN	WHT/BLU	WHT/PUR	WHT/GRY	BLK/RED	BLK/BRN	Transparent

Remark:"1" : the first wire from rotor side , H50158-06S wire color sequence: BLK/BRN/RED/ORG/WHT/GRN , 24 color wires as one group , if more than 24wires, repeat as sequence , use number tube to tell group 1#, 2#....

H90185 Series



H90185 series standard precise slip ring , integrated structure design, with through hole 90mm , OD185mm , suitable for rotating application which requires a through hole $\leq 90\text{mm}$ (remark: if need a hole $< 90\text{mm}$, can add a inner bushing)

Part No. description

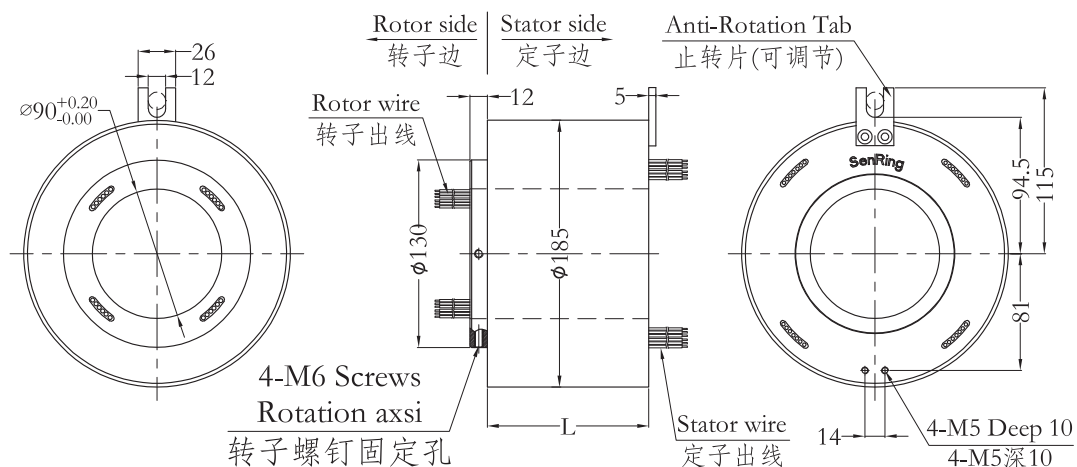
H90185 - Power circuits no. - Signal circuits no. - Eproduct grade

H:through hole slip ring
90185:ID 90mm, OD 185mm

Example:
0610:6 circuits,10A per circuit
1220:2circuits,10A per circuit

Example:
C: standard level
D:Industrial level
H:High quality level

Example:
06S:6circuits signal (0~2A)
12S:12circuits signal (0~2A)



Standard Model List

H90185 series model list							
Part no.	Circuit		Length L(mm)	part no.	Circuit		Length L(mm)
	10A	Signal or 5A			10A	Signal or 5A	
H90185-02S	0	2	48	H90185-36S	0	36	184
H90185-0210	2	0	48	H90185-0610-30S	6	30	184
H90185-03S	0	3	52	H90185-1210-524	12	24	184
H90185-0310	3	0	52	H90185-3610	36	0	184
H90185-06S	0	6	64	H90185-42S	0	42	208
H90185-0210-04S	2	4	64	H90185-0610-36S	6	36	208
H90185-0410-02S	4	2	64	H90185-1210-30S	12	30	208
H90185-0610	6	0	64	H90185-4210	42	0	208
H90185-12S	0	12	88	H90185-48S	0	48	232
H90185-0210-10S	2	10	88	H90185-0610-42S	6	42	232
H90185-0310-09S	3	9	88	H90185-1210-36S	12	36	232
H90185-0610-06S	6	6	88	H90185-1810-30S	18	30	232
H90185-0810-04S	8	4	88	H90185-2410-24S	24	24	232
H90185-1010-02S	10	2	88	H90185-4810	48	0	232
H90185-1210	12	0	88	H90185-60S	0	60	280
H90185-18S	0	18	112	H90185-0610-54S	6	54	280
H90185-0210-16S	2	16	112	H90185-0910-51S	9	51	280
H90185-0410-14S	4	14	112	H90185-1210-48S	12	48	280
H90185-0610-12S	6	12	112	H90185-2410-36S	24	36	280
H90185-0810-10S	8	10	112	H90185-72S	0	72	328

Part no.	10A	Signal or 5A	Length L(mm)	Part no.	10A	Signal or 5A	Length L(mm)
H90185-1010-08S	10	8	112	H90185-1210-60S	12	60	328
H90185-1210-06S	12	6	112	H90185-2410-48S	24	48	328
H90185-1410-04S	14	4	112	H90185-3610-36S	36	36	328
H90185-1610-02S	16	2	112	H90185-84S	0	84	376
H90185-24S	0	24	136	H90185-1210-72S	12	72	376
H90185-0410-20S	4	20	136	H90185-2410-60S	24	60	376
H90185-0610-18S	6	18	136	H90185-3610-48S	36	48	376
H90185-1210-12S	12	12	136	H90185-96S	0	96	426
H90185-1810-06S	18	6	136	H90185-1210-84S	12	84	426
H90185-2410	24	0	136	H90185-2410-72S	24	72	426
H90185-30S	0	30	160	H90185-3610-60S	36	60	426
H90185-0610-24S	6	24	160	H90185-4210-54S	42	54	426
H90185-1210-18S	12	18	160	H90185-108S	0	108	472
H90185-1810-12S	18	12	160	H90185-1210-96S	12	96	472
H90185-2410-06S	24	6	160	H90185-2410-84S	24	84	472
H90185-3010	30	0	160	H90185-3610-72S	36	72	472

*Remark:Circuits can be combined in parallel for bigger current, N circuits of 10A to get N*10A,such as 2 circuits of 10A in parallel for 20A use.10A circuits No. and signal circuits (5A) No. can be customized based on standard products,pls inquiry Senring for details.

Technical Specification

Mechanical		Electrical		
Spec	Data	Spec	Data	
Working life	pls refer to product grade table		Power	Signal
Rotating speed	pls refer to product grade table	Rated voltage	0~690VAC/VDC	0~440VAC/VDC
Working temp.	-30°C~80°C	Insulation resistance	≥ 1000mΩ/500VDC	≥ 1000mΩ/500VDC
Work humidity	0~85% RH	Lead wire spec	AWG17# Silver-plated teflon	AWG22# Silver-plated teflon
Contact material	pls refer to produce grade table	Lead wire length	standard 300mm(can be customized)	
Housing material	AL alloy	Dielectric Strength	800VAC@50Hz,60s	
Torque	0.1N.m (+0.03N.m/6circuits)	Electrical noise	<0.01Ω	
IP grade	IP51			

Product Grade Table

Grade code	Max rotating speed	Working life	Contact material
C:standard	250RPM	20millisons revolutions	precious metal
D:industrial	800RPM	60millisons revolutions	precious metal
H:high quality	1200RPM	150millisons revolutions	gold alloy

Color code of Lead Wire

ring#	1	2	3	4	5	6	7	8	9	10	11	12
color	BLK	BRN	RED	ORG	YEL	GRN	BLU	PUR	GRY	WHT	PINK	LGT BLU
ring#	13	14	15	16	17	18	19	20	21	22	23	24
color	WHT/BLK	WHT/BRN	WHT/RED	WHT/ORG	WHT/YEL	WHT/GRN	WHT/BLU	WHT/PUR	WHT/GRY	BLK/RED	BLK/BRN	Transparent

Remark:"1" : the first wire from rotor side , H90185-06S wire color sequence: BLK/BRN/RED/ORG/WHT/GRN , 24 color wires as one group , if more than 24wires, repeat as sequence , use number tube to tell group 1#, 2#....

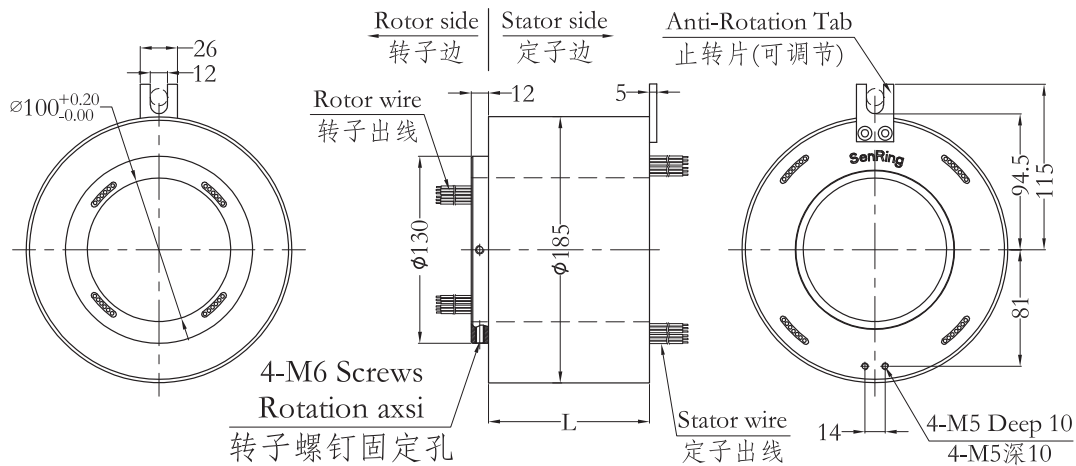
H100185 Series



H100185 series standard precise slip ring , integrated structure design, with through hole 100mm , OD185mm , suitable for rotating application which requires a through hole <=100mm (remark: if need a hole <100mm, can add a inner bushing)

Part No. description

H100185 - Power circuits no. - Signal circuits no. - Eproduct grade	
H:through hole slip ring 100185:ID 100mm, OD 185mm Example: 0610:6 circuits,10A per circuit 1220:2circuits,10A per circuit	Example: C: standard level D:Industrial level H:High quality level Example: 06S:6circuits signal (0~2A) 12S:12circuits signal (0~2A)



Standard Model List

H100185 series model list							
Part no.	Circuit		Length L(mm)	Part no.	Circuit		Length L(mm)
	10A	Signal or 5A			10A	Signal or 5A	
H100185-02S	0	2	48	H100185-36S	0	36	184
H100185-0210	2	0	48	H100185-0610-30S	6	30	184
H100185-03S	0	3	52	H100185-1210-S24	12	24	184
H100185-0310	3	0	52	H100185-3610	36	0	184
H100185-06S	0	6	64	H100185-42S	0	42	208
H100185-0210-04S	2	4	64	H100185-0610-36S	6	36	208
H100185-0410-02S	4	2	64	H100185-1210-30S	12	30	208
H100185-0610	6	0	64	H100185-4210	42	0	208
H100185-12S	0	12	88	H100185-48S	0	48	232
H100185-0210-10S	2	10	88	H100185-0610-42S	6	42	232
H100185-0310-09S	3	9	88	H100185-1210-36S	12	36	232
H100185-0610-06S	6	6	88	H100185-1810-30S	18	30	232
H100185-0810-04S	8	4	88	H100185-2410-24S	24	24	232
H100185-1010-02S	10	2	88	H100185-4810	48	0	232
H100185-1210	12	0	88	H100185-60S	0	60	280
H100185-18S	0	18	112	H100185-0610-54S	6	54	280
H100185-0210-16S	2	16	112	H100185-0910-51S	9	51	280
H100185-0410-14S	4	14	112	H100185-1210-48S	12	48	280
H100185-0610-12S	6	12	112	H100185-2410-36S	24	36	280
H100185-0810-10S	8	10	112	H100185-72S	0	72	328

Part no.	10A	Signal or 5A	Length L(mm)	Part no.	10A	Signal or 5A	Length L(mm)
H100185-1010-08S	10	8	112	H100185-1210-60S	12	60	328
H100185-1210-06S	12	6	112	H100185-2410-48S	24	48	328
H100185-1410-04S	14	4	112	H100185-3610-36S	36	36	328
H100185-1610-02S	16	2	112	H100185-84S	0	84	376
H100185-24S	0	24	136	H100185-1210-72S	12	72	376
H100185-0410-20S	4	20	136	H100185-2410-60S	24	60	376
H100185-0610-18S	6	18	136	H100185-3610-48S	36	48	376
H100185-1210-12S	12	12	136	H100185-96S	0	96	426
H100185-1810-06S	18	6	136	H100185-1210-84S	12	84	426
H100185-2410	24	0	136	H100185-2410-72S	24	72	426
H100185-30S	0	30	160	H100185-3610-60S	36	60	426
H100185-0610-24S	6	24	160	H100185-4210-54S	42	54	426
H100185-1210-18S	12	18	160	H100185-108S	0	108	472
H100185-1810-12S	18	12	160	H100185-1210-96S	12	96	472
H100185-2410-06S	24	6	160	H100185-2410-84S	24	84	472
H100185-3010	30	0	160	H100185-3610-72S	36	72	472

*Remark: Circuits can be combined in parallel for bigger current, N circuits of 10A to get N*10A, such as 2 circuits of 10A in parallel for 20A use. 10A circuits No. and signal circuits (5A) No. can be customized based on standard products, pls inquiry Senring for details.

Technical Specification

Mechanical		Electrical		
Spec	Data	Spec	Data	
Working life	pls refer to product grade table		Power	Signal
Rotating speed	pls refer to product grade table	Rated voltage	0~690VAC/VDC	0~440VAC/VDC
Working temp.	-30°C~80°C	Insulation resistance	≥1000mΩ/500VDC	≥1000mΩ/500VDC
Work humidity	0~85% RH	Lead wire spec	AWG17# Silver-plated teflon	AWG22# Silver-plated teflon
Contact material	pls refer to produce grade table	Lead wire length	standard 300mm(can be customized)	
Housing material	AL alloy	Dielectric Strength	800VAC@50Hz,60s	
Torque	0.1N.m (+0.03N.m/6circuits)	Electrical noise	<0.01Ω	
IP grade	IP51			

Product Grade Table

Grade code	Max rotating speed	Working life	Contact material
C:standard	250RPM	20millisons revolutions	precious metal
D:industrial	800RPM	60millisons revolutions	precious metal
H:high quality	1200RPM	150millisons revolutions	gold alloy

Color code of Lead Wire

ring#	1	2	3	4	5	6	7	8	9	10	11	12
color	BLK	BRN	RED	ORG	YEL	GRN	BLU	PUR	GRY	WHT	PINK	LGT BLU
ring#	13	14	15	16	17	18	19	20	21	22	23	24
color	WHT/BLK	WHT/BRN	WHT/RED	WHT/ORG	WHT/YEL	WHT/GRN	WHT/BLU	WHT/PUR	WHT/GRY	BLK/RED	BLK/BRN	Transparent

Remark: "1" : the first wire from rotor side , H100185-06S wire color sequence: BLK/BRN/RED/ORG/WHT/GRN , 24 color wires as one group , if more than 24wires, repeat as sequence , use number tube to tell group 1#, 2#....

H120215 Series

H120215 series standard precise slip ring , integrated structure design, with through hole 120mm , OD215mm , suitable for rotating application which requires a through hole <=120mm (remark: if need a hole <120mm, can add a inner bushing)



Part No. description

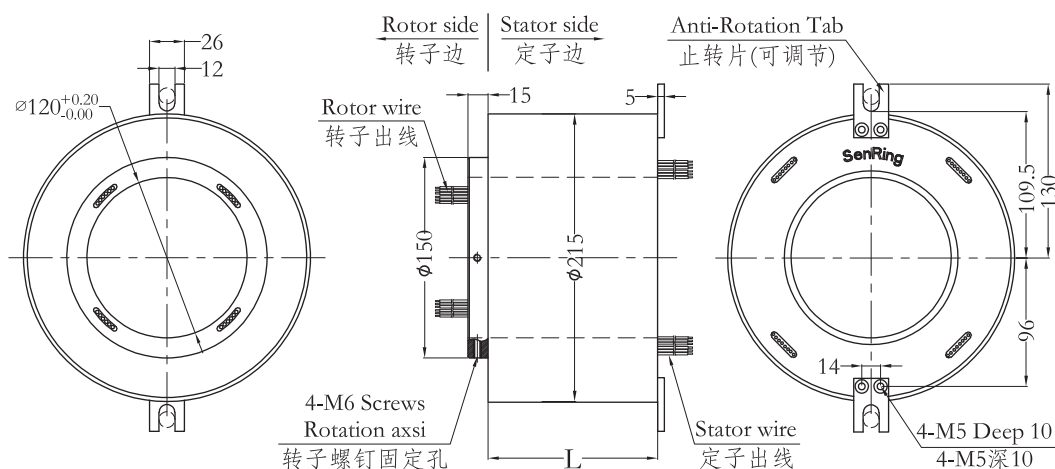
H120215 - Power circuits no. - Signal circuits no. - Eproduct grade

H:through hole slip ring
120215:ID 120mm, OD 215mm

Example:
0610:6 circuits,10A per circuit
1220:2circuits,10A per circuit

Example:
C: standard level
D:Industrial level
H:High quality level

Example:
06S:6circuits signal (0~2A)
12S:12circuits signal (0~2A)



Standard Model List

H120215 series model list							
Part no.	Circuit		Length L(mm)	Part no.	Circuit		Length L(mm)
	10A	Signal or 5A			10A	Signal or 5A	
H120215-02S	0	2	57	H120215-36S	0	36	193
H120215-0210	2	0	57	H120215-0610-30S	6	30	193
H120215-03S	0	3	61	H120215-1210-524	12	24	193
H120215-0310	3	0	61	H120215-3610	36	0	193
H120215-06S	0	6	73	H120215-42S	0	42	217
H120215-0210-04S	2	4	73	H120215-0610-36S	6	36	217
H120215-0410-02S	4	2	73	H120215-1210-30S	12	30	217
H120215-0610	6	0	73	H120215-4210	42	0	217
H120215-12S	0	12	97	H120215-48S	0	48	241
H120215-0210-10S	2	10	97	H120215-0610-42S	6	42	241
H120215-0310-09S	3	9	97	H120215-1210-36S	12	36	241
H120215-0610-06S	6	6	97	H120215-1810-30S	18	30	241
H120215-0810-04S	8	4	97	H120215-2410-24S	24	24	241
H120215-1010-02S	10	2	97	H120215-4810	48	0	241
H120215-1210	12	0	97	H120215-60S	0	60	289
H120215-18S	0	18	121	H120215-0610-54S	6	54	289
H120215-0210-16S	2	16	121	H120215-0910-51S	9	51	289
H120215-0410-14S	4	14	121	H120215-1210-48S	12	48	289
H120215-0610-12S	6	12	121	H120215-2410-36S	24	36	289
H120215-0810-10S	8	10	121	H120215-72S	0	72	337

Part no.	10A	Signal or 5A	Length L(mm)	Part no.	10A	Signal or 5A	Length L(mm)
H120215-1010-08S	10	8	121	H120215-1210-60S	12	60	337
H120215-1210-06S	12	6	121	H120215-2410-48S	24	48	337
H120215-1410-04S	14	4	121	H120215-3610-36S	36	36	337
H120215-1610-02S	16	2	121	H120215-84S	0	84	385
H120215-24S	0	24	145	H120215-1210-72S	12	72	385
H120215-0410-20S	4	20	145	H120215-2410-60S	24	60	385
H120215-0610-18S	6	18	145	H120215-3610-48S	36	48	385
H120215-1210-12S	12	12	145	H120215-96S	0	96	435
H120215-1810-06S	18	6	145	H120215-1210-84S	12	84	435
H120215-2410	24	0	145	H120215-2410-72S	24	72	435
H120215-30S	0	30	169	H120215-3610-60S	36	60	435
H120215-0610-24S	6	24	169	H120215-4210-54S	42	54	435
H120215-1210-18S	12	18	169	H120215-108S	0	108	481
H120215-1810-12S	18	12	169	H120215-1210-96S	12	96	481
H120215-2410-06S	24	6	169	H120215-2410-84S	24	84	481
H120215-3010	30	0	169	H120215-3610-72S	36	72	481

*Remark:Circuits can be combined in parallel for bigger current,N circuits of 10A to get N*10A, such as 2 circuits of 10A in parallel for 20A use.10A circuits No. and signal circuits (5A) No. can be customized based on standard products,pls inquiry Senring for details.

Technical Specification

Mechanical		Electrical		
Spec	Data	Spec	Data	
Working life	pls refer to product grade table		Power	Signal
Rotating speed	pls refer to product grade table	Rated voltage	0~690VAC/VDC	0~440VAC/VDC
Working temp.	-30°C~80°C	Insulation resistance	≥1000mΩ/500VDC	≥1000mΩ/500VDC
Work humidity	0~85% RH	Lead wire spec	AWG17# Silver-plated teflon	AWG22# Silver-plated teflon
Contact material	pls refer to produce grade table	Lead wire length	standard 300mm(can be customized)	
Housing material	AL alloy	Dielectric Strength	800VAC@50Hz,60s	
Torque	0.1N.m (+0.03N.m/6circuits)	Electrical noise	<0.01Ω	
IP grade	IP51			

Product Grade Table

Grade code	Max rotating speed	Working life	Contact material
C:standard	250RPM	20millisons revolutions	precious metal
D:industrial	800RPM	60millisons revolutions	precious metal
H:high quality	1200RPM	150millisons revolutions	gold alloy

Color code of Lead Wire

ring#	1	2	3	4	5	6	7	8	9	10	11	12
color	BLK	BRN	RED	ORG	YEL	GRN	BLU	PUR	GRY	WHT	PINK	LGT BLU
ring#	13	14	15	16	17	18	19	20	21	22	23	24
color	WHT/BLK	WHT/BRN	WHT/RED	WHT/ORG	WHT/YEL	WHT/GRN	WHT/BLU	WHT/PUR	WHT/GRY	BLK/RED	BLK/BRN	Transparent

Remark:"1" : the first wire from rotor side , H120215-06S wire color sequence: BLK/BRN/RED/ORG/WHT/GRN , 24 color wires as one group , if more than 24wires, repeat as sequence , use number tube to tell group 1#, 2#....

H150248 Series

H150248 series standard precise slip ring , integrated structure design, with through hole 150mm , OD248mm , suitable for rotating application which requires a through hole <=150mm (remark: if need a hole <150mm, can add a inner bushing)



Part No. description

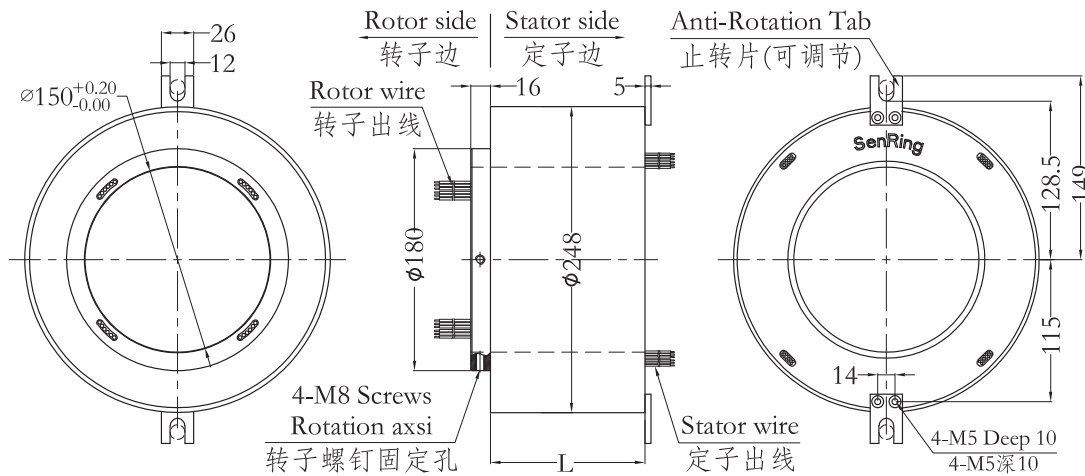
H150248 - Power circuits no. - Signal circuits no. - Eproduct grade

H:through hole slip ring
150248:ID 150mm, OD 248mm

Example:
0610:6 circuits,10A per circuit
1220:2circuits,10A per circuit

Example:
C: standard level
D:Industrial level
H:High quality level

Example:
06S:6circuits signal (0~2A)
12S:12circuits signal (0~2A)



Standard Model List

H150248 series model list							
Part no.	Circuit		Length L(mm)	Part no.	Circuit		Length L(mm)
	10A	Signal or 5A			10A	Signal or 5A	
H150248-02S	0	2	66	H150248-36S	0	36	202
H150248-0210	2	0	66	H150248-0610-30S	6	30	202
H150248-03S	0	3	70	H150248-1210-S24	12	24	202
H150248-0310	3	0	70	H150248-3610	36	0	202
H150248-06S	0	6	82	H150248-42S	0	42	226
H150248-0210-04S	2	4	82	H150248-0610-36S	6	36	226
H150248-0410-02S	4	2	82	H150248-1210-30S	12	30	226
H150248-0610	6	0	82	H150248-4210	42	0	226
H150248-12S	0	12	106	H150248-48S	0	48	250
H150248-0210-10S	2	10	106	H150248-0610-42S	6	42	250
H150248-0310-09S	3	9	106	H150248-1210-36S	12	36	250
H150248-0610-06S	6	6	106	H150248-1810-30S	18	30	250
H150248-0810-04S	8	4	106	H150248-2410-24S	24	24	250
H150248-1010-02S	10	2	106	H150248-4810	48	0	250
H150248-1210	12	0	106	H150248-60S	0	60	298
H150248-18S	0	18	130	H150248-0610-54S	6	54	298
H150248-0210-16S	2	16	130	H150248-0910-51S	9	51	298
H150248-0410-14S	4	14	130	H150248-1210-48S	12	48	298
H150248-0610-12S	6	12	130	H150248-2410-36S	24	36	298
H150248-0810-10S	8	10	130	H150248-72S	0	72	346

Part no.	10A	Signal or 5A	Length L(mm)	Part no.	10A	Signal or 5A	Length L(mm)
H150248-1010-08S	10	8	130	H150248-1210-60S	12	60	346
H150248-1210-06S	12	6	130	H150248-2410-48S	24	48	346
H150248-1410-04S	14	4	130	H150248-3610-36S	36	36	346
H150248-1610-02S	16	2	130	H150248-84S	0	84	394
H150248-24S	0	24	154	H150248-1210-72S	12	72	394
H150248-0410-20S	4	20	154	H150248-2410-60S	24	60	394
H150248-0610-18S	6	18	154	H150248-3610-48S	36	48	394
H150248-1210-12S	12	12	154	H150248-96S	0	96	444
H150248-1810-06S	18	6	154	H150248-1210-84S	12	84	444
H150248-2410	24	0	154	H150248-2410-72S	24	72	444
H150248-30S	0	30	178	H150248-3610-60S	36	60	444
H150248-0610-24S	6	24	178	H150248-4210-54S	42	54	444
H150248-1210-18S	12	18	178	H150248-108S	0	108	490
H150248-1810-12S	18	12	178	H150248-1210-96S	12	96	490
H150248-2410-06S	24	6	178	H150248-2410-84S	24	84	490
H150248-3010	30	0	178	H150248-3610-72S	36	72	490

*Remark: Circuits can be combined in parallel for bigger current, N circuits of 10A to get N*10A, such as 2 circuits of 10A in parallel for 20A use. 10A circuits No. and signal circuits (5A) No. can be customized based on standard products, pls inquiry Senring for details.

Technical Specification

Mechanical		Electrical		
Spec	Data	Spec	Data	
Working life	pls refer to product grade table		Power	Signal
Rotating speed	pls refer to product grade table	Rated voltage	0~690VAC/VDC	0~440VAC/VDC
Working temp.	-30°C~80°C	Insulation resistance	≥ 1000mΩ/500VDC	≥ 1000mΩ/500VDC
Work humidity	0~85% RH	Lead wire spec	AWG17# Silver-plated teflon	AWG22# Silver-plated teflon
Contact material	pls refer to produce grade table	Lead wire length	standard 300mm(can be customized)	
Housing material	AL alloy	Dielectric Strength	800VAC@50Hz,60s	
Torque	0.1N.m (+0.03N.m/6circuits)	Electrical noise	<0.01Ω	
IP grade	IP51			

Product Grade Table

Grade code	Max rotating speed	Working life	Contact material
C:standard	150RPM	20millions revolutions	precious metal
D:industrial	600RPM	60millions revolutions	precious metal
H:high quality	1200RPM	150millions revolutions	gold alloy

Color code of Lead Wire

ring#	1	2	3	4	5	6	7	8	9	10	11	12
color	BLK	BRN	RED	ORG	YEL	GRN	BLU	PUR	GRY	WHT	PINK	LGT BLU
ring#	13	14	15	16	17	18	19	20	21	22	23	24
color	WHT/BLK	WHT/BRN	WHT/RED	WHT/ORG	WHT/YEL	WHT/GRN	WHT/BLU	WHT/PUR	WHT/GRY	BLK/RED	BLK/BRN	Transparent

Remark: "1" : the first wire from rotor side , H150248-06S wire color sequence: BLK/BRN/RED/ORG/WHT/GRN , 24 color wires as one group , if more than 24wires, repeat as sequence , use number tube to tell group 1#, 2#....

H180298 Series

H180298 series standard precise slip ring , integrated structure design, with through hole 180mm , OD298mm , suitable for rotating application which requires a through hole <=180mm (remark: if need a hole <180mm, can add a inner bushing)



Part No. description

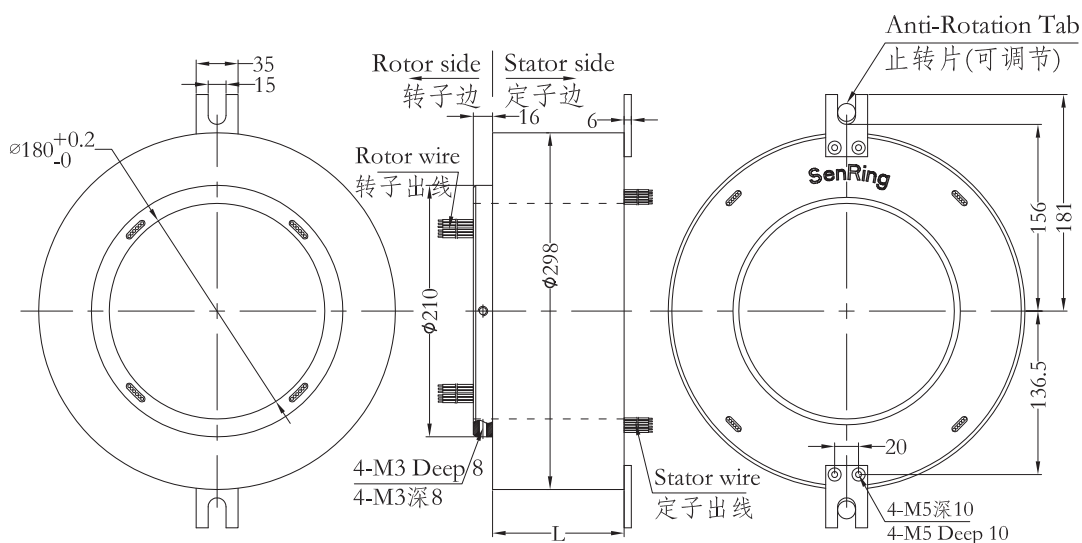
H180298 - Power circuits no. - Signal circuits no. - Eproduct grade

H:through hole slip ring
180298:ID 180mm, OD 298mm

Example:
0610:6 circuits,10A per circuit
1220:2circuits,10A per circuit

Example:
C: standard level
D:Industrial level
H:High quality level

Example:
06S:6circuits signal (0~2A)
12S:12circuits signal (0~2A)



Standard Model List

H180298 series model list							
Part no.	Circuit		Length L(mm)	Part no.	Circuit		Length L(mm)
	10A	Signal or 5A			10A	Signal or 5A	
H180298-02S	0	2	70	H180298-36S	0	36	206
H180298-0210	2	0	70	H180298-0610-30S	6	30	206
H180298-03S	0	3	74	H180298-1210-S24	12	24	206
H180298-0310	3	0	74	H180298-3610	36	0	206
H180298-06S	0	6	86	H180298-42S	0	42	230
H180298-0210-04S	2	4	86	H180298-0610-36S	6	36	230
H180298-0410-02S	4	2	86	H180298-1210-30S	12	30	230
H180298-0610	6	0	86	H180298-4210	42	0	230
H180298-12S	0	12	110	H180298-48S	0	48	254
H180298-0210-10S	2	10	110	H180298-0610-42S	6	42	254
H180298-0310-09S	3	9	110	H180298-1210-36S	12	36	254
H180298-0610-06S	6	6	110	H180298-1810-30S	18	30	254
H180298-0810-04S	8	4	110	H180298-2410-24S	24	24	254
H180298-1010-02S	10	2	110	H180298-4810	48	0	254
H180298-1210	12	0	110	H180298-60S	0	60	302
H180298-18S	0	18	134	H180298-0610-54S	6	54	302
H180298-0210-16S	2	16	134	H180298-0910-51S	9	51	302
H180298-0410-14S	4	14	134	H180298-1210-48S	12	48	302
H180298-0610-12S	6	12	134	H180298-2410-36S	24	36	302
H180298-0810-10S	8	10	134	H180298-72S	0	72	350

Part no.	10A	Signal or 5A	Length L(mm)	Part no.	10A	Signal or 5A	Length L(mm)
H180298-1010-08S	10	8	134	H180298-1210-60S	12	60	350
H180298-1210-06S	12	6	134	H180298-2410-48S	24	48	350
H180298-1410-04S	14	4	134	H180298-3610-36S	36	36	350
H180298-1610-02S	16	2	134	H180298-84S	0	84	398
H180298-24S	0	24	158	H180298-1210-72S	12	72	398
H180298-0410-20S	4	20	158	H180298-2410-60S	24	60	398
H180298-0610-18S	6	18	158	H180298-3610-48S	36	48	398
H180298-1210-12S	12	12	158	H180298-96S	0	96	448
H180298-1810-06S	18	6	158	H180298-1210-84S	12	84	448
H180298-2410	24	0	158	H180298-2410-72S	24	72	448
H180298-30S	0	30	182	H180298-3610-60S	36	60	448
H180298-0610-24S	6	24	182	H180298-4210-54S	42	54	448
H180298-1210-18S	12	18	182	H180298-108S	0	108	494
H180298-1810-12S	18	12	182	H180298-1210-96S	12	96	494
H180298-2410-06S	24	6	182	H180298-2410-84S	24	84	494
H180298-3010	30	0	182	H180298-3610-72S	36	72	494

*Remark: Circuits can be combined in parallel for bigger current, N circuits of 10A to get N*10A, such as 2 circuits of 10A in parallel for 20A use. 10A circuits No. and signal circuits (5A) No. can be customized based on standard products, pls inquiry Senring for details.

Technical Specification

Mechanical		Electrical		
Spec	Data	Spec	Data	
Working life	pls refer to product grade table		Power	Signal
Rotating speed	pls refer to product grade table	Rated voltage	0~690VAC/VDC	0~440VAC/VDC
Working temp.	-30°C~80°C	Insulation resistance	≥1000mΩ/500VDC	≥1000mΩ/500VDC
Work humidity	0~85% RH	Lead wire spec	AWG17# Silver-plated teflon	AWG22# Silver-plated teflon
Contact material	pls refer to produce grade table	Lead wire length	standard 300mm(can be customized)	
Housing material	AL alloy	Dielectric Strength	800VAC@50Hz, 60s	
Torque	0.1N.m (+0.03N.m/6circuits)	Electrical noise	<0.01Ω	
IP grade	IP51			

Product Grade Table

Grade code	Max rotating speed	Working life	Contact material
C:standard	150RPM	20millisons revolutions	precious metal
D:industrial	600RPM	60millisons revolutions	precious metal
H:high quality	1200RPM	150millisons revolutions	gold alloy

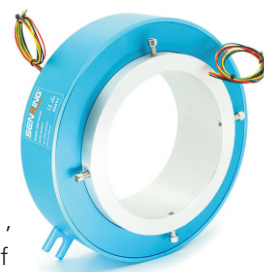
Color code of Lead Wire

ring#	1	2	3	4	5	6	7	8	9	10	11	12
color	BLK	BRN	RED	ORG	YEL	GRN	BLU	PUR	GRY	WHT	PINK	LGT BLU
ring#	13	14	15	16	17	18	19	20	21	22	23	24
color	WHT/BLK	WHT/BRN	WHT/RED	WHT/ORG	WHT/YEL	WHT/GRN	WHT/BLU	WHT/PUR	WHT/GRY	BLK/RED	BLK/BRN	Transparent

Remark: "1" : the first wire from rotor side , H180298-06S wire color sequence: BLK/BRN/RED/ORG/WHT/GRN , 24 color wires as one group , if more than 24wires, repeat as sequence , use number tube to tell group 1#, 2#....

H200320 Series

H200320 series standard precise slip ring , integrated structure design, with through hole 200mm , OD320mm , suitable for rotating application which requires a through hole <=200mm (remark: if need a hole <200mm, can add a inner bushing)



Part No. description

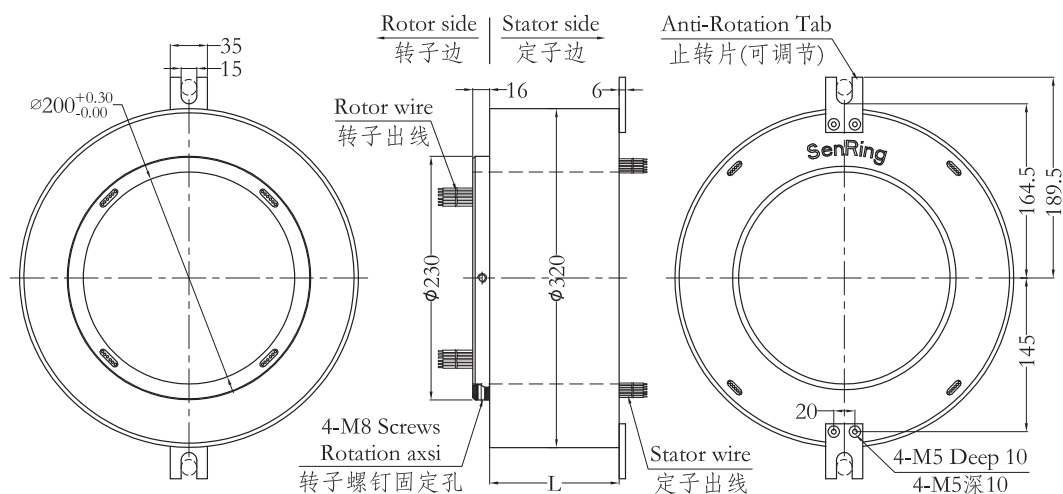
H200320 - Power circuits no. - Signal circuits no. - Eproduct grade

H:through hole slip ring
200320:ID 200mm, OD 320mm

Example:
0610:6 circuits,10A per circuit
1220:2circuits,10A per circuit

Example:
C: standard level
D:Industrial level
H:High quality level

Example:
06S:6circuits signal (0~2A)
12S:12circuits signal (0~2A)



Standard Model List

H200320 series model list							
Part no.	Circuit		Length L(mm)	Part no.	Circuit		Length L(mm)
	10A	Signal or 5A			10A	Signal or 5A	
H200320-02S	0	2	70	H200320-36S	0	36	240
H200320-0210	2	0	70	H200320-0610-30S	6	30	240
H200320-03S	0	3	75	H200320-1210-S24	12	24	240
H200320-0310	3	0	75	H200320-3610	36	0	240
H200320-06S	0	6	90	H200320-42S	0	42	270
H200320-0210-04S	2	4	90	H200320-0610-36S	6	36	270
H200320-0410-02S	4	2	90	H200320-1210-30S	12	30	270
H200320-0610	6	0	90	H200320-4210	42	0	270
H200320-12S	0	12	120	H200320-48S	0	48	300
H200320-0210-10S	2	10	120	H200320-0610-42S	6	42	300
H200320-0310-09S	3	9	120	H200320-1210-36S	12	36	300
H200320-0610-06S	6	6	120	H200320-1810-30S	18	30	300
H200320-0810-04S	8	4	120	H200320-2410-24S	24	24	300
H200320-1010-02S	10	2	120	H200320-4810	48	0	300
H200320-1210	12	0	120	H200320-60S	0	60	360
H200320-18S	0	18	150	H200320-0610-54S	6	54	360
H200320-0210-16S	2	16	150	H200320-0910-51S	9	51	360
H200320-0410-14S	4	14	150	H200320-1210-48S	12	48	360
H200320-0610-12S	6	12	150	H200320-2410-36S	24	36	360
H200320-0810-10S	8	10	150	H200320-72S	0	72	420

Part no.	10A	Signal or 5A	Length L(mm)	Part no.	10A	Signal or 5A	Length L(mm)
H200320-1010-08S	10	8	150	H200320-1210-60S	12	60	420
H200320-1210-06S	12	6	150	H200320-2410-48S	24	48	420
H200320-1410-04S	14	4	150	H200320-3610-36S	36	36	420
H200320-1610-02S	16	2	150	H200320-84S	0	84	480
H200320-24S	0	24	180	H200320-1210-72S	12	72	480
H200320-0410-20S	4	20	180	H200320-2410-60S	24	60	480
H200320-0610-18S	6	18	180	H200320-3610-48S	36	48	480
H200320-1210-12S	12	12	180	H200320-96S	0	96	540
H200320-1810-06S	18	6	180	H200320-1210-84S	12	84	540
H200320-2410	24	0	180	H200320-2410-72S	24	72	540
H200320-30S	0	30	210	H200320-3610-60S	36	60	540
H200320-0610-24S	6	24	210	H200320-4210-54S	42	54	540
H200320-1210-18S	12	18	210	H200320-108S	0	108	600
H200320-1810-12S	18	12	210	H200320-1210-96S	12	96	600
H200320-2410-06S	24	6	210	H200320-2410-84S	24	84	600
H200320-3010	30	0	210	H200320-3610-72S	36	72	600

*Remark: Circuits can be combined in parallel for bigger current, N circuits of 10A to get N*10A, such as 2 circuits of 10A in parallel for 20A use. 10A circuits No. and signal circuits (5A) No. can be customized based on standard products, pls inquiry Senring for details.

Technical Specification

Mechanical		Electrical		
Spec	Data	Spec	Data	
Working life	pls refer to product grade table		Power	Signal
Rotating speed	pls refer to product grade table	Rated voltage	0~690VAC/VDC	0~440VAC/VDC
Working temp.	-30°C~80°C	Insulation resistance	≥1000mΩ/500VDC	≥1000mΩ/500VDC
Work humidity	0~85% RH	Lead wire spec	AWG17# Silver-plated teflon	AWG22# Silver-plated teflon
Contact material	pls refer to produce grade table	Lead wire length	standard 300mm(can be customized)	
Housing material	AL alloy	Dielectric Strength	800VAC@50Hz, 60s	
Torque	0.1N.m (+0.03N.m/6circuits)	Electrical noise	<0.01Ω	
IP grade	IP51			

Product Grade Table

Grade code	Max rotating speed	Working life	Contact material
C:standard	150RPM	20millions revolutions	precious metal
D:industrial	600RPM	60millions revolutions	precious metal
H:high quality	1200RPM	150millions revolutions	gold alloy

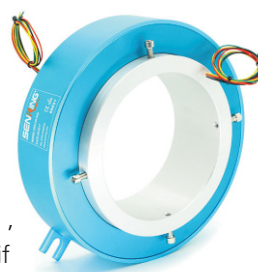
Color code of Lead Wire

ring#	1	2	3	4	5	6	7	8	9	10	11	12
color	BLK	BRN	RED	ORG	YEL	GRN	BLU	PUR	GRY	WHT	PINK	LGT BLU
ring#	13	14	15	16	17	18	19	20	21	22	23	24
color	WHT/BLK	WHT/BRN	WHT/RED	WHT/ORG	WHT/YEL	WHT/GRN	WHT/BLU	WHT/PUR	WHT/GRY	BLK/RED	BLK/BRN	Transparent

Remark: "1" : the first wire from rotor side , H200320-06S wire color sequence: BLK/BRN/RED/ORG/WHT/GRN , 24 color wires as one group , if more than 24wires, repeat as sequence , use number tube to tell group 1#, 2#....

H250396 Series

H250396 series standard precise slip ring , integrated structure design, with through hole 250mm , OD396mm , suitable for rotating application which requires a through hole <=250mm (remark: if need a hole <250mm, can add a inner bushing)



Part No. description

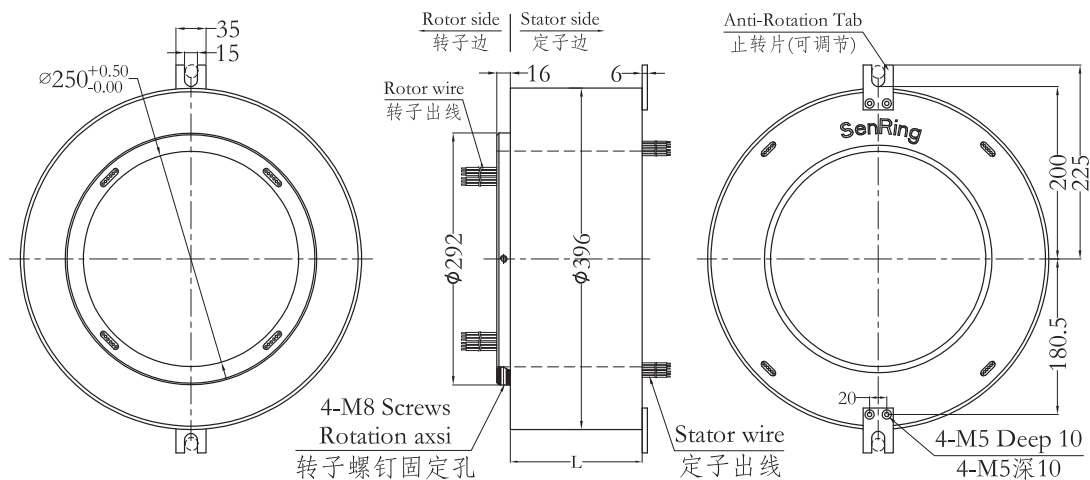
H250396 - Power circuits no. - Signal circuits no. - Eproduct grade

H:through hole slip ring
250396:ID 250mm, OD 396mm

Example:
0610:6 circuits,10A per circuit
1220:2circuits,10A per circuit

Example:
C: standard level
D:Industrial level
H:High quality level

Example:
06S:6circuits signal (0~2A)
12S:12circuits signal (0~2A)



Standard Model List

H250396 series model list							
Part no.	Circuit		Length L(mm)	Part no.	Circuit		Length L(mm)
	10A	Signal or 5A			10A	Signal or 5A	
H250396-02S	0	2	88	H250396-36S	0	36	258
H250396-0210	2	0	88	H250396-0610-30S	6	30	258
H250396-03S	0	3	93	H250396-1210-S24	12	24	258
H250396-0310	3	0	93	H250396-3610	36	0	258
H250396-06S	0	6	108	H250396-42S	0	42	288
H250396-0210-04S	2	4	108	H250396-0610-36S	6	36	288
H250396-0410-02S	4	2	108	H250396-1210-30S	12	30	288
H250396-0610	6	0	108	H250396-4210	42	0	288
H250396-12S	0	12	138	H250396-48S	0	48	318
H250396-0210-10S	2	10	138	H250396-0610-42S	6	42	318
H250396-0310-09S	3	9	138	H250396-1210-36S	12	36	318
H250396-0610-06S	6	6	138	H250396-1810-30S	18	30	318
H250396-0810-04S	8	4	138	H250396-2410-24S	24	24	318
H250396-1010-02S	10	2	138	H250396-4810	48	0	318
H250396-1210	12	0	138	H250396-60S	0	60	378
H250396-18S	0	18	168	H250396-0610-54S	6	54	378
H250396-0210-16S	2	16	168	H250396-0910-51S	9	51	378
H250396-0410-14S	4	14	168	H250396-1210-48S	12	48	378
H250396-0610-12S	6	12	168	H250396-2410-36S	24	36	378
H250396-0810-10S	8	10	168	H250396-72S	0	72	438

Part no.	10A	Signal or 5A	Length L(mm)	Part no.	10A	Signal or 5A	Length L(mm)
H250396-1010-08S	10	8	168	H250396-1210-60S	12	60	438
H250396-1210-06S	12	6	168	H250396-2410-48S	24	48	438
H250396-1410-04S	14	4	168	H250396-3610-36S	36	36	438
H250396-1610-02S	16	2	168	H250396-84S	0	84	498
H250396-24S	0	24	198	H250396-1210-72S	12	72	498
H250396-0410-20S	4	20	198	H250396-2410-60S	24	60	498
H250396-0610-18S	6	18	198	H250396-3610-48S	36	48	498
H250396-1210-12S	12	12	198	H250396-96S	0	96	558
H250396-1810-06S	18	6	198	H250396-1210-84S	12	84	558
H250396-2410	24	0	198	H250396-2410-72S	24	72	558
H250396-30S	0	30	228	H250396-3610-60S	36	60	558
H250396-0610-24S	6	24	228	H250396-4210-54S	42	54	568
H250396-1210-18S	12	18	228	H250396-108S	0	108	618
H250396-1810-12S	18	12	228	H250396-1210-96S	12	96	618
H250396-2410-06S	24	6	228	H250396-2410-84S	24	84	618
H250396-3010	30	0	228	H250396-3610-72S	36	72	618

*Remark: Circuits can be combined in parallel for bigger current, N circuits of 10A to get N*10A, such as 2 circuits of 10A in parallel for 20A use. 10A circuits No. and signal circuits (5A) No. can be customized based on standard products, pls inquiry Senring for details.

Technical Specification

Mechanical		Electrical		
Spec	Data	Spec	Data	
Working life	pls refer to product grade table		Power	Signal
Rotating speed	pls refer to product grade table	Rated voltage	0~690VAC/VDC	0~440VAC/VDC
Working temp.	-30°C~80°C	Insulation resistance	≥1000mΩ/500VDC	≥1000mΩ/500VDC
Work humidity	0~85% RH	Lead wire spec	AWG17# Silver-plated teflon	AWG22# Silver-plated teflon
Contact material	pls refer to produce grade table	Lead wire length	standard 300mm(can be customized)	
Housing material	AL alloy	Dielectric Strength	800VAC@50Hz,60s	
Torque	0.1N.m (+0.03N.m/6circuits)	Electrical noise	<0.01Ω	
IP grade	IP51			

Product Grade Table

Grade code	Max rotating speed	Working life	Contact material
C:standard	150RPM	20millisons revolutions	precious metal
D:industrial	600RPM	60millisons revolutions	precious metal
H:high quality	1200RPM	150millisons revolutions	gold alloy

Color code of Lead Wire

ring#	1	2	3	4	5	6	7	8	9	10	11	12
color	BLK	BRN	RED	ORG	YEL	GRN	BLU	PUR	GRY	WHT	PINK	LGT BLU
ring#	13	14	15	16	17	18	19	20	21	22	23	24
color	WHT/BLK	WHT/BRN	WHT/RED	WHT/ORG	WHT/YEL	WHT/GRN	WHT/BLU	WHT/PUR	WHT/GRY	BLK/RED	BLK/BRN	Transparent

Remark: "1" : the first wire from rotor side , H2056-06S wire color sequence: BLK/BRN/RED/ORG/WHT/GRN , 24 color wires as one group , if more than 24wires, repeat as sequence , use number tube to tell group 1#, 2#...

H300430 Series



H300430 series standard precise slip ring , integrated structure design, with through hole 300mm , OD430mm , suitable for rotating application which requires a through hole $\leq 300\text{mm}$ (remark: if need a hole $< 300\text{mm}$, can add a inner bushing)

Part No. description

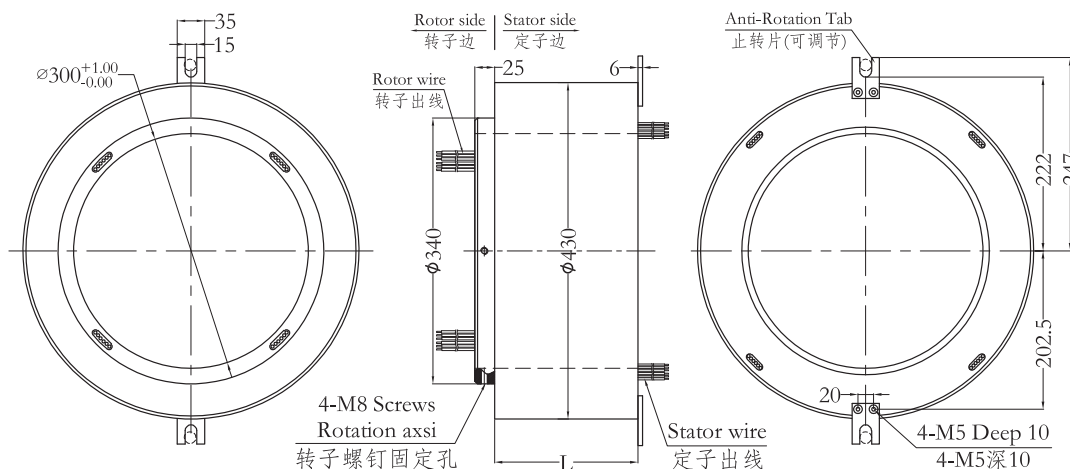
H300430 - Power circuits no. - Signal circuits no. - Eproduct grade

H:through hole slip ring
300430:ID 300mm, OD 430mm

Example:
0610:6 circuits,10A per circuit
1220:2circuits,10A per circuit

Example:
C: standard level
D:Industrial level
H:High quality level

Example:
06S:6circuits signal (0~2A)
12S:12circuits signal (0~2A)



Standard Model List

H300430 series model list							
Part no.	Circuit		Length L(mm)	Part no.	Circuit		Length L(mm)
	10A	Signal or 5A			10A	Signal or 5A	
H300430-02S	0	2	89	H300430-36S	0	36	293
H300430-0210	2	0	89	H300430-0610-30S	6	30	293
H300430-03S	0	3	95	H300430-1210-S24	12	24	293
H300430-0310	3	0	95	H300430-3610	36	0	293
H300430-06S	0	6	113	H300430-42S	0	42	329
H300430-0210-04S	2	4	113	H300430-0610-36S	6	36	329
H300430-0410-02S	4	2	113	H300430-1210-30S	12	30	329
H300430-0610	6	0	113	H300430-4210	42	0	329
H300430-12S	0	12	149	H300430-48S	0	48	365
H300430-0210-10S	2	10	149	H300430-0610-42S	6	42	365
H300430-0310-09S	3	9	149	H300430-1210-36S	12	36	365
H300430-0610-06S	6	6	149	H300430-1810-30S	18	30	365
H300430-0810-04S	8	4	149	H300430-2410-24S	24	24	365
H300430-1010-02S	10	2	149	H300430-4810	48	0	365
H300430-1210	12	0	149	H300430-60S	0	60	437
H300430-18S	0	18	185	H300430-0610-54S	6	54	437
H300430-0210-16S	2	16	185	H300430-0910-51S	9	51	437
H300430-0410-14S	4	14	185	H300430-1210-48S	12	48	437
H300430-0610-12S	6	12	185	H300430-2410-36S	24	36	437
H300430-0810-10S	8	10	185	H300430-72S	0	72	509

Part no.	10A	Signal or 5A	Length L(mm)	Part no.	10A	Signal or 5A	Length L(mm)
H300430-1010-08S	10	8	185	H300430-1210-60S	12	60	509
H300430-1210-06S	12	6	185	H300430-2410-48S	24	48	509
H300430-1410-04S	14	4	185	H300430-3610-36S	36	36	509
H300430-1610-02S	16	2	185	H300430-84S	0	84	581
H300430-24S	0	24	221	H300430-1210-72S	12	72	581
H300430-0410-20S	4	20	221	H300430-2410-60S	24	60	581
H300430-0610-18S	6	18	221	H300430-3610-48S	36	48	581
H300430-1210-12S	12	12	221	H300430-96S	0	96	653
H300430-1810-06S	18	6	221	H300430-1210-84S	12	84	653
H300430-2410	24	0	221	H300430-2410-72S	24	72	653
H300430-30S	0	30	257	H300430-3610-60S	36	60	653
H300430-0610-24S	6	24	257	H300430-4210-54S	42	54	653
H300430-1210-18S	12	18	257	H300430-108S	0	108	725
H300430-1810-12S	18	12	257	H300430-1210-96S	12	96	725
H300430-2410-06S	24	6	257	H300430-2410-84S	24	84	725
H300430-3010	30	0	257	H300430-3610-72S	36	72	725

*Remark: Circuits can be combined in parallel for bigger current, N circuits of 10A to get N*10A, such as 2 circuits of 10A in parallel for 20A use. 10A circuits No. and signal circuits (5A) No. can be customized based on standard products, pls inquiry Senring for details.

Technical Specification

Mechanical		Electrical		
Spec	Data	Spec	Data	
Working life	pls refer to product grade table		Power	Signal
Rotating speed	pls refer to product grade table	Rated voltage	0~690VAC/VDC	0~440VAC/VDC
Working temp.	-30°C~80°C	Insulation resistance	≥1000mΩ/500VDC	≥1000mΩ/500VDC
Work humidity	0~85% RH	Lead wire spec	AWG17# Silver-plated teflon	AWG22# Silver-plated teflon
Contact material	pls refer to produce grade table	Lead wire length	standard 300mm(can be customized)	
Housing material	AL alloy	Dielectric Strength	800VAC@50Hz,60s	
Torque	0.1N.m (+0.03N.m/6circuits)	Electrical noise	<0.01Ω	
IP grade	IP51			

Product Grade Table

Grade code	Max rotating speed	Working life	Contact material
C:standard	150RPM	20millisons revolutions	precious metal
D:industrial	600RPM	60millisons revolutions	precious metal
H:high quality	1200RPM	150millisons revolutions	gold alloy

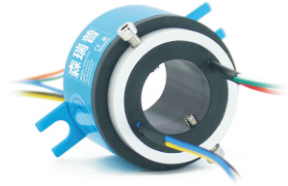
Color code of Lead Wire

ring#	1	2	3	4	5	6	7	8	9	10	11	12
color	BLK	BRN	RED	ORG	YEL	GRN	BLU	PUR	GRY	WHT	PINK	LGT BLU
ring#	13	14	15	16	17	18	19	20	21	22	23	24
color	WHT/BLK	WHT/BRN	WHT/RED	WHT/ORG	WHT/YEL	WHT/GRN	WHT/BLU	WHT/PUR	WHT/GRY	BLK/RED	BLK/BRN	Transparent

Remark: "1" : the first wire from rotor side , H300430-06S wire color sequence: BLK/BRN/RED/ORG/WHT/GRN , 24 color wires as one group , if more than 24wires, repeat as sequence , use number tube to tell group 1#, 2#....

H2042 Series

H2042 series standard precise slip ring, integrated structure design, with through hole 20mm , OD42mm , suitable for rotating application which requires a through hole <=5mm (remark: if need a hole <20mm, can add a inner bushing)



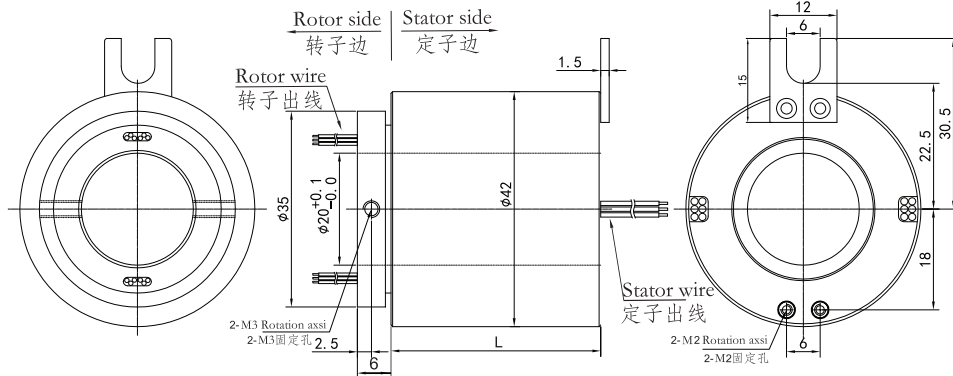
Part No. Description

H2042 - Signal circuits no. - Erduct grade

H:through hole slip ring
2042:ID 20mm, OD 42mm

Example:
06S:6circuits signal (0~5A)
12S:12circuits signal (0~5A)

Example:
C: standard level
D:Industrial level
H:High quality level



Standard Model List

H0522 series model list		
Part no.	Circuits no. (signal or 0~5A)	Length L(mm)
H2042-02S	2	25.5
H2042-03S	3	25.5
H2042-04S	4	25.5
H2042-06S	6	25.5
H2042-08S	8	37.5
H2042-10S	10	37.5
H2042-12S	12	37.5

*Remark: Circuits can be combined in parallel for bigger current, N circuits of 5A to get N*5A, such as 2 circuits of 5A in parallel for 10A use.

Technical Specification

Mechanical		Electrical		
Spec	Data	Spec	Data	
Working life	pls refer to product grade table	Power	0~240VAC/VDC	Signal
Rotating speed	pls refer to product grade table	Rated voltage	0~240VAC/VDC	0~240VAC/VDC
Working temp.	-30°C~80°C	Insulation resistance	$\geq 500m\Omega/500VDC$	$\geq 500m\Omega/500VDC$
Work humidity	0~85% RH	Lead wire spec	AWG26# Silver-plated teflon	AWG26# Silver-plated teflon
Contact material	pls refer to produce grade table	Lead wire length	standard 300mm(can be customized)	
Housing material	AL alloy	Dielectric Strength	500VAC@50Hz, 60s	
Torque	0.05N.m (+0.03N.m/6circuits)	Electrical noise	<0.01Ω	
IP grade	IP51			

Product Grade Table

Grade code	Max rotating speed	Working life	Contact material
C:standard	250RPM	20millions revolutions	precious metal
D:industrial	600RPM	60millions revolutions	precious metal
H:high quality	1000RPM	150millions revolutions	gold alloy